

This manual has been reproduced from a 1975 German publication

Entitled

**Ersatzteile Katalog
70-220-0000-6**

We (www.soemtron.org) fully recognise the intellectual property rights of the originating source and will take steps to remove, alter or further acknowledge this document if we are notified of any infringements. It has been presented in good faith to aid in understanding the inner workings of the now vintage Soemtron 22x range of electronic calculators.

It has been published by us to disseminate information about the Soemtron 22x range of electronic desk calculators manufactured by V.E.B. (*1) Büromaschinenwerk Sömmerda, as a project to gather and centralise whatever information can be found about these increasingly rare early electronic calculators.

If you have or know of any information, books, drawings, circuits, hardware, test equipment (prufgerat) or other memorabilia relating to the Soemtron 220, 221, 222 or 224 calculators, their trade names - Daro or Soemtron, manufactured by - V.E.B. Büromaschinenwerk Sömmerda, please email us at - mike@soemtron.org

This document has been scanned from an original book, processed through commercial OCR software to regenerate the original German text and then automatically translated to English and imported into Microsoft Word. Layout has been duplicated in line with the original document as much as possible to retain the flow of the original document. Drawings, circuits and photographs are scans from the original document.

With this effort in mind some of the syntax presented here is a little strange to say the least!. Some portions have been reworked to be more readable English text but there is obviously more to be done. If you can help with this, or indeed have any helpful information or comments, please email us at - mike@soemtron.org

Please use, and hopefully enjoy, this information in the spirit in which we undertook to generate it - as an information source for an interesting piece of early calculator history before the advent of modern electronics, in the days when “hands on” engineers thought through the problems and challenges of designing equipment with little resources, to produce the best end product they could.

January 2017

www.soemtron.org

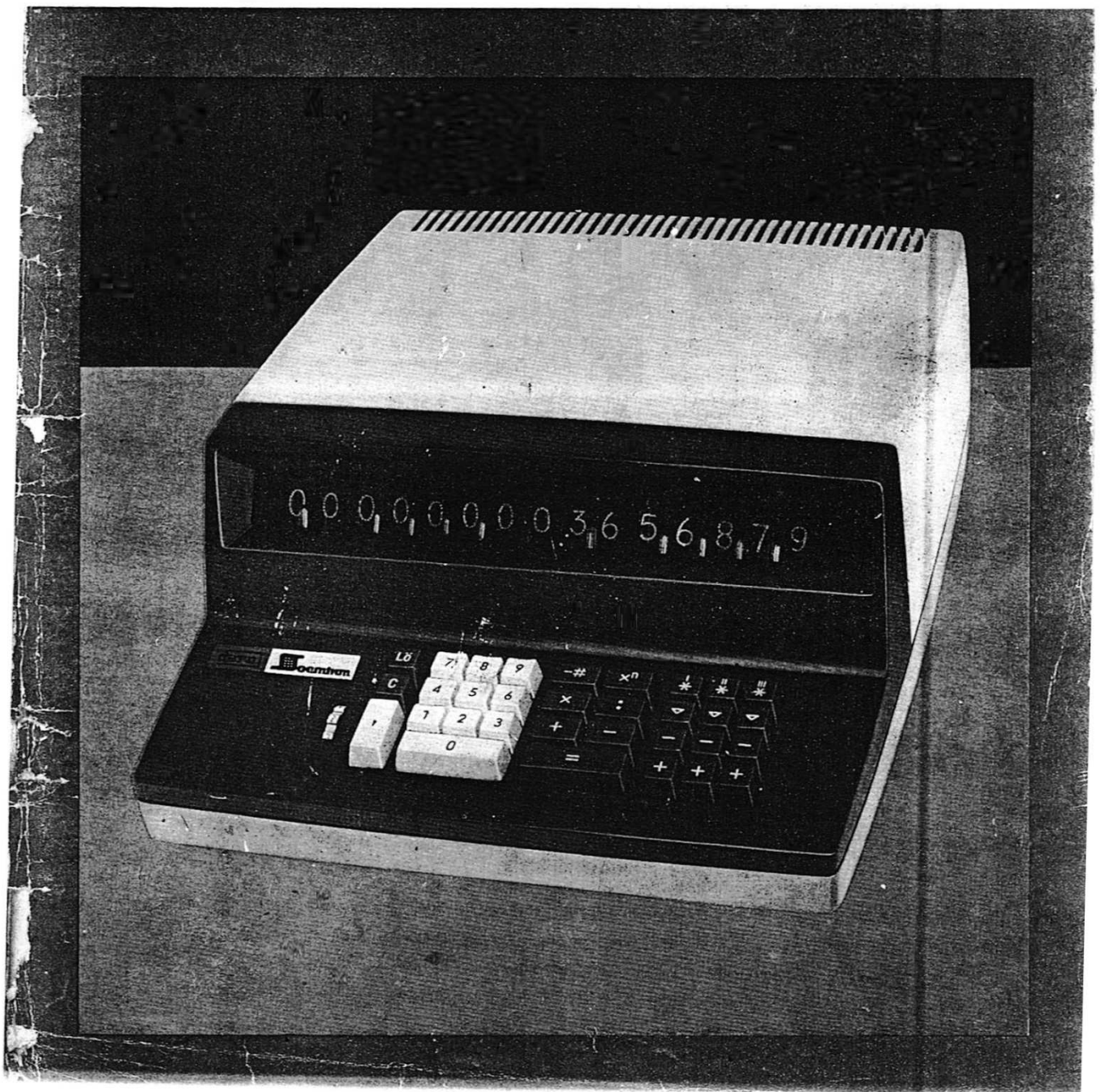
mike@soemtron.org

*1 - V.E.B - Volkes Eigener Betrieb = Peoples Owned Company

Ersatzteilekatalog

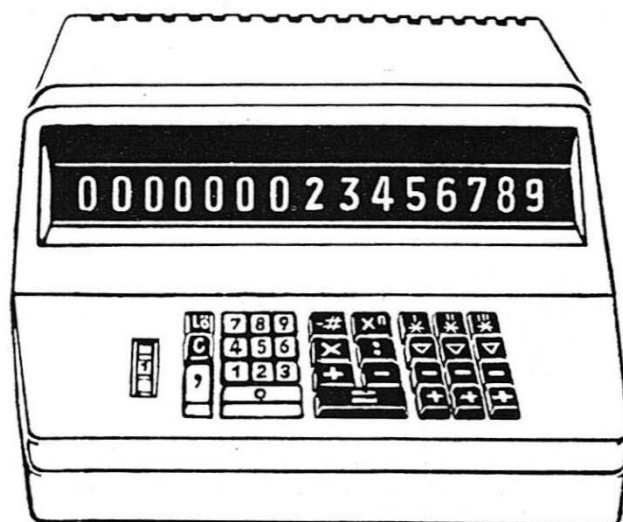
70-220-0000-6

DATA
220



data
220

ELEKTRONISCHER TISCHRECHNER



Ersatzteile-Katalog

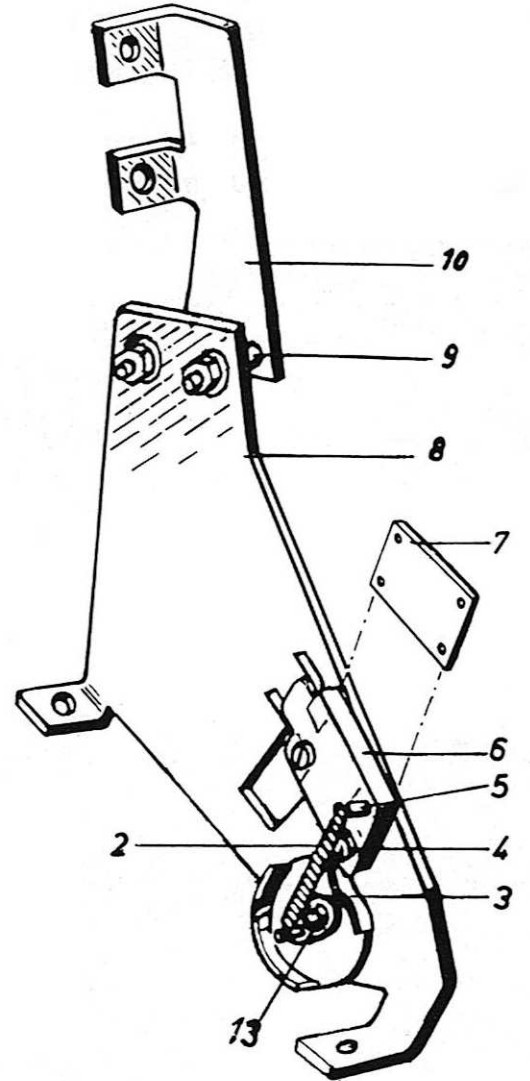
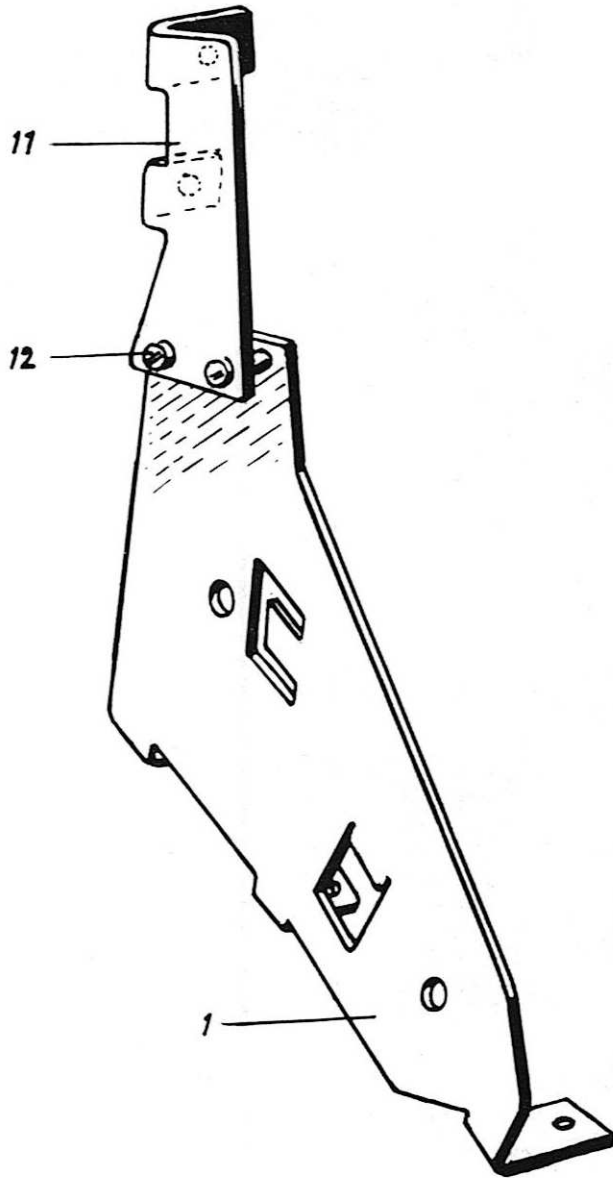
70-220-0000-6

- Ausgabe Februar 1975 -

List of contents

	Table
1. Side panels	1
2. Keyboard	2 - 4
3. Display	5
4. Power supply	6 - 9
5. Computing part	10 - 23
6. Lining	24 - 25
7. Accessories	26
8. Total parts listing	

Table 1

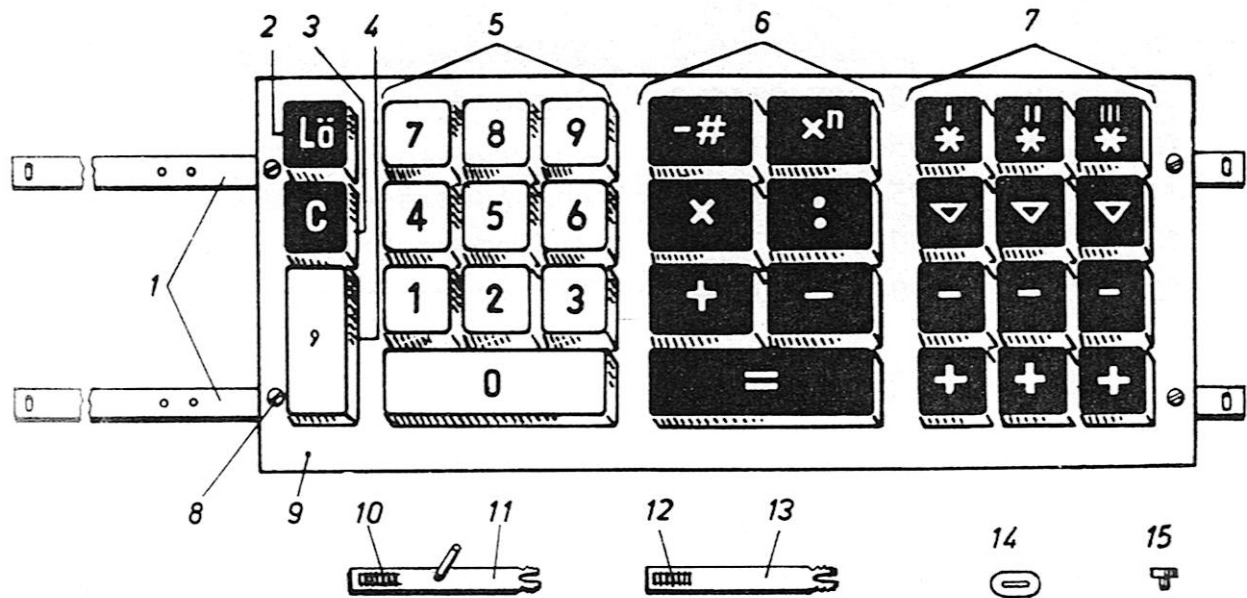


Side panels

Table 1

Item #.	Qty	Part #	Description
1	1	05-220-1009-8	Side panel, left
2	1	05-060-2630-1	Tension spring
3	1	06-220-1078-5	Control wheel
4	2	00-201-3406-3	Cheese head screw M2x10
5	1	05-220-1077-2	Captive screw
6	1	00-803-7005-5	Microswitch (220V)
7	1	05-220-9098-6	Intermediate plate
8	1	06-220-1010-0	Side panel, right
9	4	00-227-0716-0	Spacer 3,6x7h11
10	1	05-220-1016-1	Display carrier, right
11	1	05-220-1015-3	Display carrier, left
12	2	00-201-3704-1	Cheese head screw M3x12
13	1	00-225-3097-2	Lock washer

Table 2

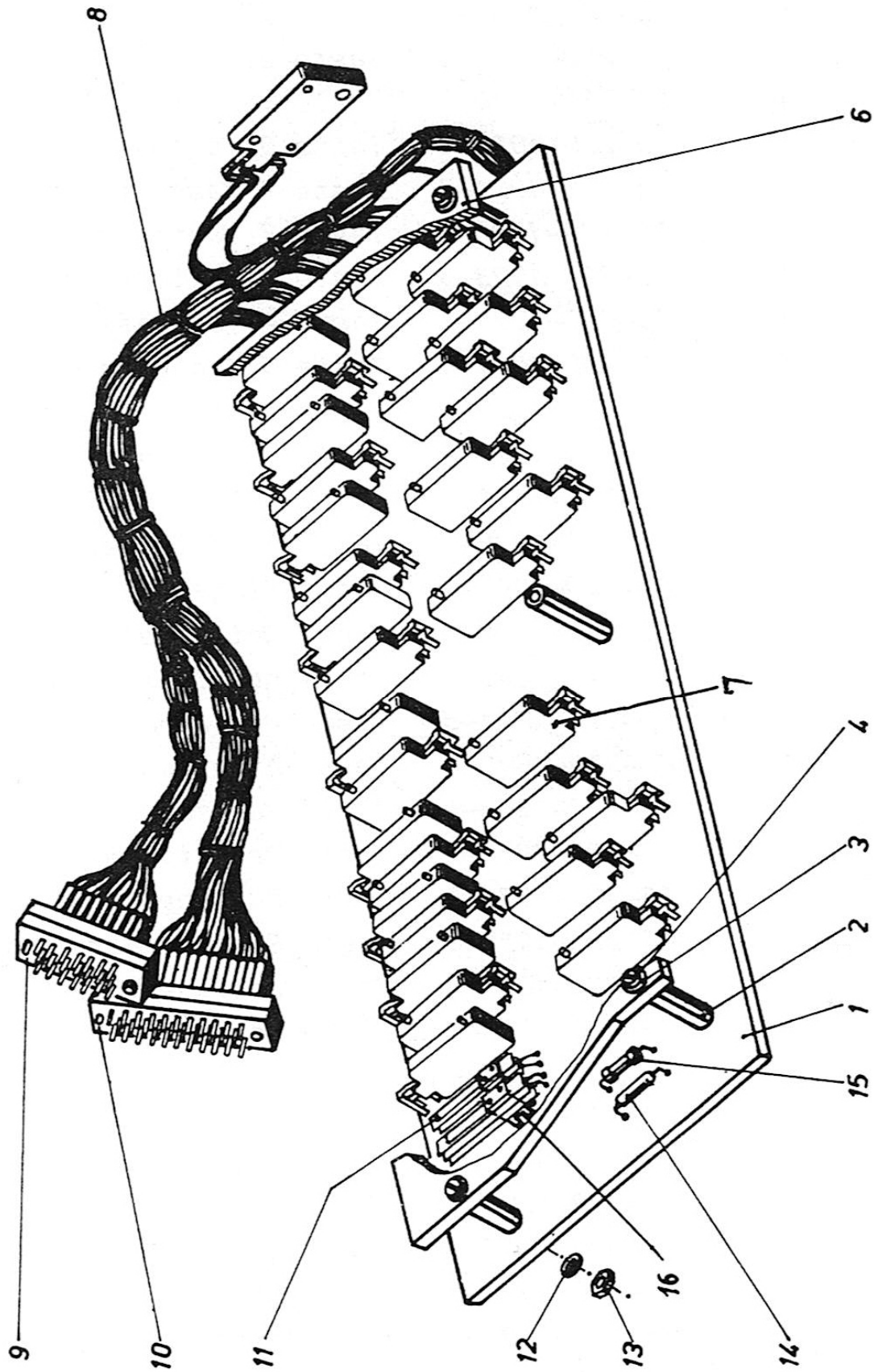


Keyboard

Table 2

Item #.	Qty	Part #	Description
		22-220-1096-1	Complete keyboard
1	5	05-220-1013-7	Attaching bracket
2	1	05-220-1032-1	Key Lö
3	1	05-220-1031-3	Key C
4	1	05-220-1030-5	Key ,
5	1	05-220-1020-0	Key 0
	1	05-220-1021-7	Key 1
	1	05-220-1022-5	Key 2
	1	05-220-1023-3	Key 3
	1	05-220-1024-1	Key 4
	1	05-220-1025-8	Key 5
	1	05-220-1026-6	Key 6
	1	05-220-1027-4	Key 7
	1	05-220-1028-2	Key 8
	1	05-220-1029-0	Key 9
6	1	05-220-1045-0	Key Negate all input #
	1	05-220-1044-2	Key Exponentiation Xn
	1	05-220-1040-1	Key Multiplication X
	1	05-226-1041-8	Key Division :
	1	05-220-1042-6	Key Memory addition +
	1	05-220-1043-4	Key Subtraction -
	1	05-220-1039-5	Key Result =
7	1	05-220-1036-2	Key Memory recall with reset Lö I*
	1	05-220-1037-0	Key Memory recall with reset Lö II*
	1	05-220-1038-7	Key Memory recall with reset Lö III*
	3	05-220-1033-8	Key Memory recall without reset ▼
	3	05-220-1035-4	Key for all Memory Subtraction -
	3	05-220-1034-6	Key for all Memory Addition +
8	6	00-201-3688-5	Cheese head screw M3x8
9	1	05-220-1096-5	Upper keyboard guide plate
10	3	05-000-2781-7	Compression spring
11	1	06-220-1008-6	Key actuator for Lö
12	23	05-000-2782-5	Compression spring
13	26	05-220-1007-3	Key actuator for all other keys
14	31	00-812-0202-3	Absorption disk for all keys
15	4	05-220-1017-8	Spacer piece

Table 2

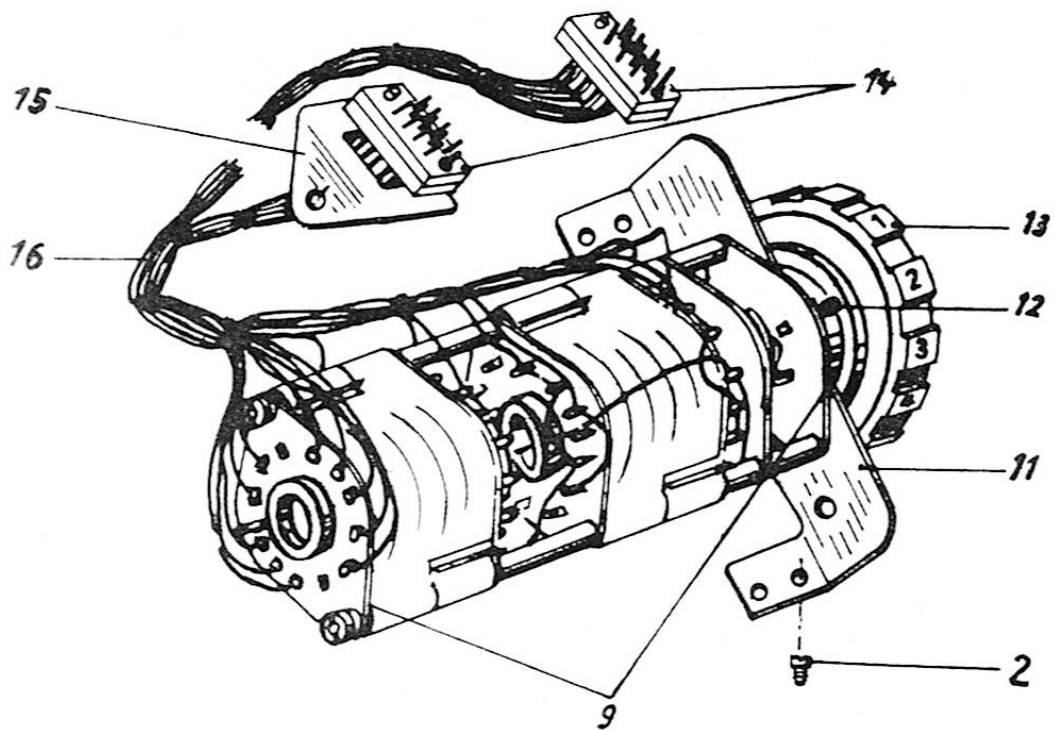
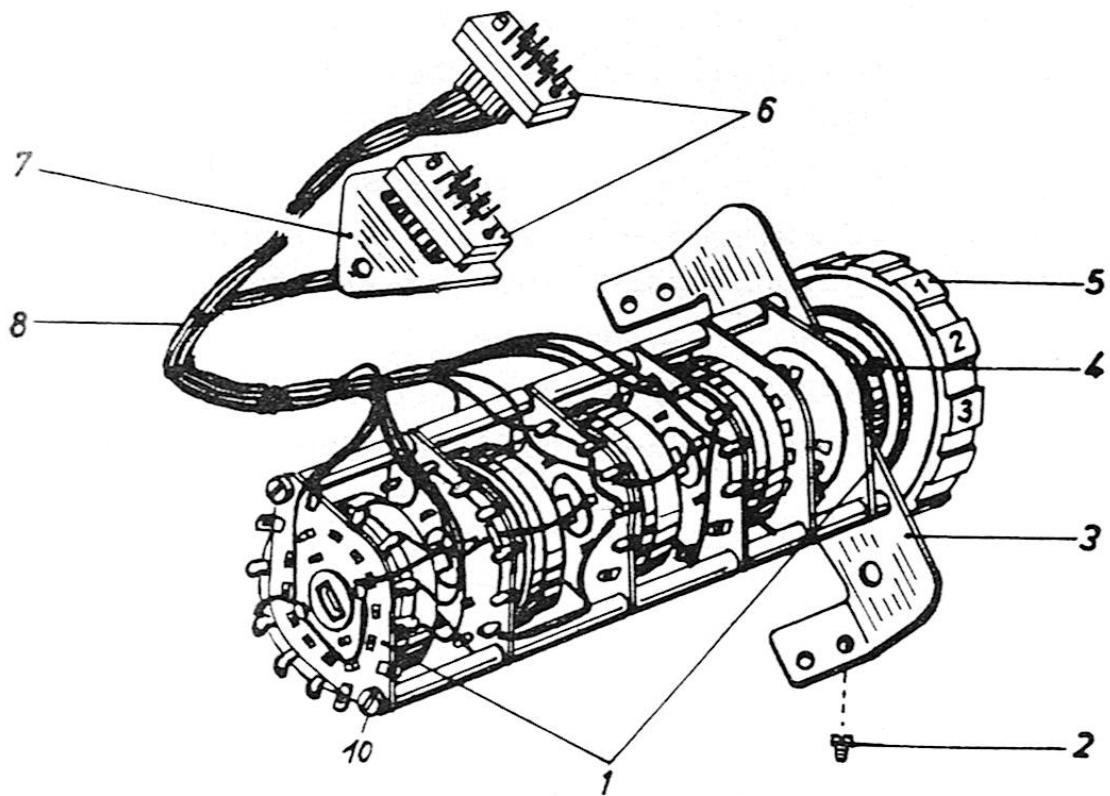


Keyboard

Table 3

Item #.	Qty	Part #	Description
		20-220-1097-7	Complete circuit board with Key switches
1	1	05-220-1097-3	Printed circuit board
2	6	05-220-1098-1	Threaded spacer
3	6	05-000-0766-1	Washer
4	6	00-201-3688-5	Cheese head screw M3x8
6	1	05-220-1096-5	Upper keyboard guide plate
7	31	00-803-7024-8	Microswitch (24V)
8	1	06-220-9099-4	Complete wiring harness
9	1	00-445-6896-3	Miniature plug 20-pin
10	1	00-445-6913-6	Miniature plug 32-pin
11	1	00-484-1222-6	Sprung contact set
12	6	05-000-0893-5	Insulating washer
13	6	06-212-1057-3	Hexagon nut M3
14	1	00-421-3531-5	Paper capacitor
15	1	00-400-9965-8	Film resistor 4,7 ohm 10% 0.125w
16	1	05-220-9052-2	Spacer piece

Table 4

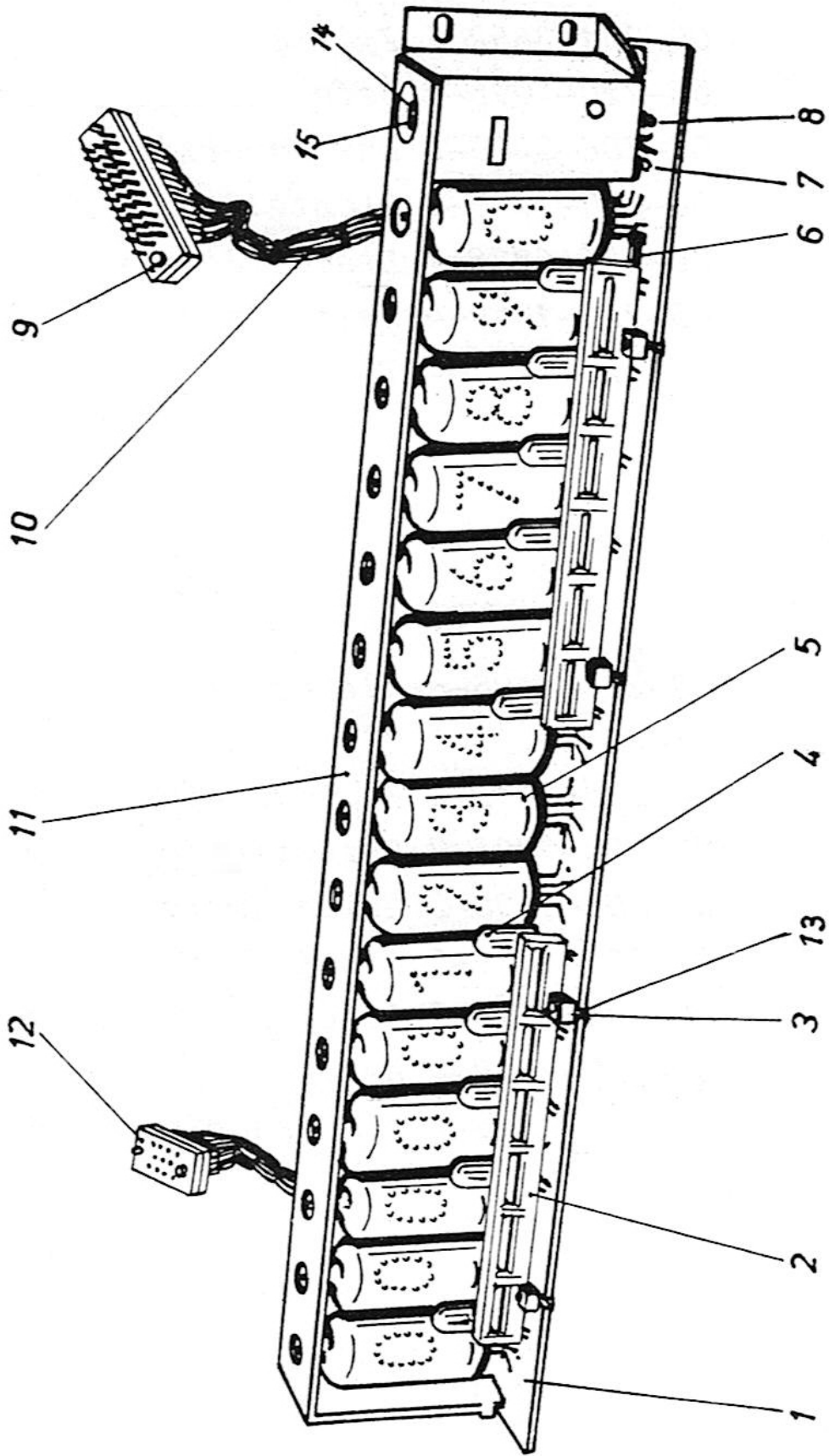


Keyboard

Table 4

Item #.	Qty	Part #	Description
		18-220-1095-5	Complete rotary switch assembly
1	1	00-803-6033-4	Rotary switch
2	4	00-201-3662-7	Cheese head screw M3x4
3	1	05-220-1095-7	Attaching bracket
4	1	00-206-0400-2	Grub screw
5	1	06-220-1079-3	Dial
6	2	00-445-6878-7	Miniature plug 11-pin
7	1	05-220-1019-4	Connector bracket
8	1	16-220-1079-4	Complete wiring harness
		18-220-1195-6	Small step switch assembly
9	1	00-803-6035-0	Small step switch
10	4	00-201-3612-0	Cheese head screw M2,6x8
11	1	05-220-1095-7	Attaching bracket
12	1	00-206-0400-2	Grub screw
13	1	06-220-1079-3	Dial
14	2	00-445-6878-7	Miniature plug 11-pin
15	1	05-220-1019-4	Connector bracket
16	1	16-220-1079-4	Complete wiring harness

Table 5

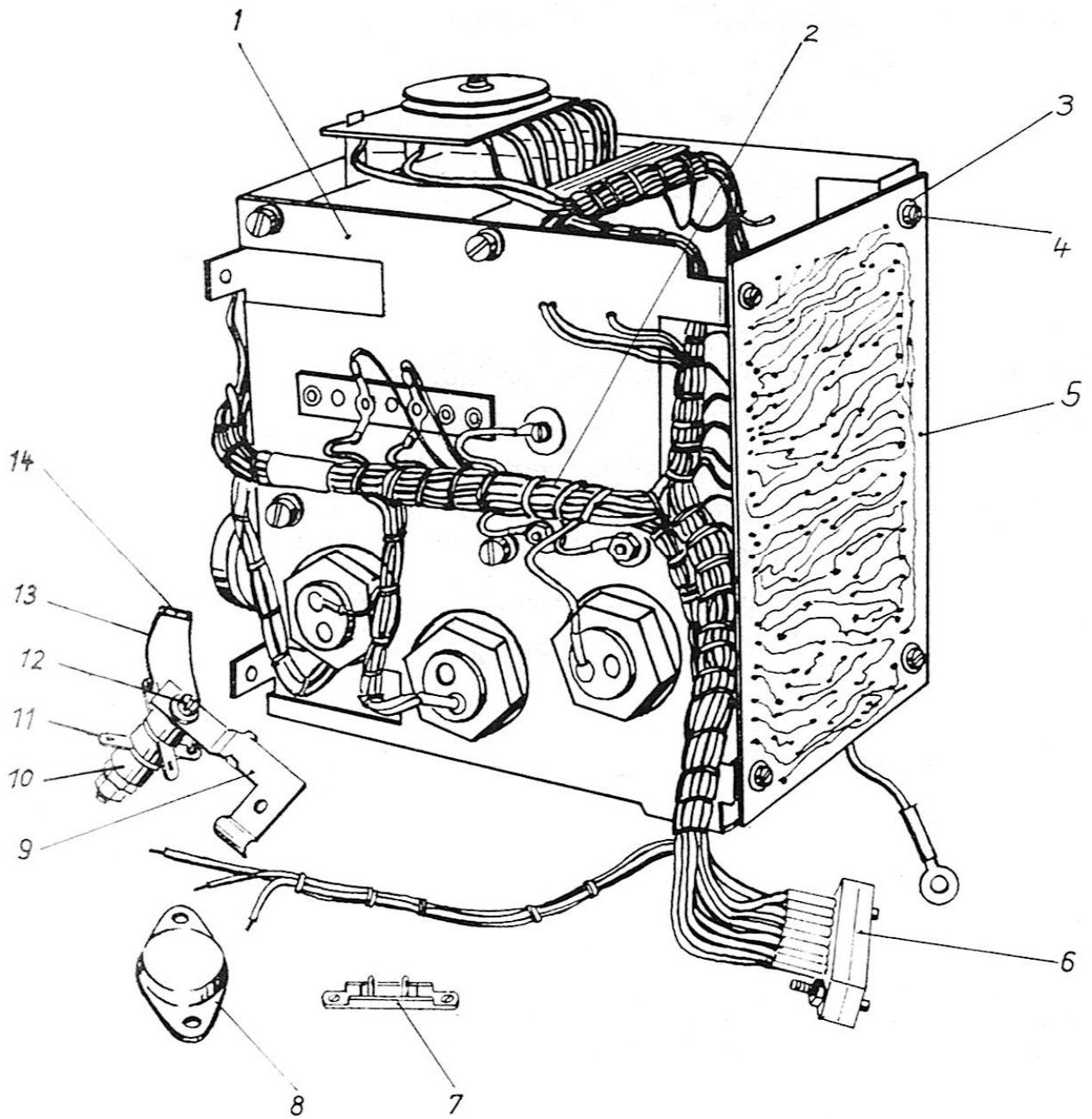


Display

Table 5

Item #.	Qty	Part #	Description
		30-220-5000-3	Display assembly
1	1	20-220-5002-7	Complete display printed circuit board
2	2	05-220-5008-0	Mounting plate
3	4	00-301-3688-5	Cheese head screw
4	10	00-430-9992-8	Telephone lamp 12V 0,05A
5	15	00-560-9558-3	Display Indicator
6	1	00-401-0581-8	Film resistor 82 ohm 10%
7	1	00-401-0026-8	Film resistor 470 ohm 10%
8	1	00-411-0781-0	Film resistor 100k ohm 0,05W 10%
9	1	00-455-6911-1	Miniature plug 32-pin
10	1	06-220-5003-6	Complete wiring harness
11	1	06-220-5001-1	Display framework
12	1	00-445-6934-5	Miniature socket 11-pin
13	4	05-000-0893-5	PVC washer
14	1	00-430-9525-5	Neon lamp E 26/10
15	1	00-430-9991-1	Telephone lamp 12V 0,05A

Table 6



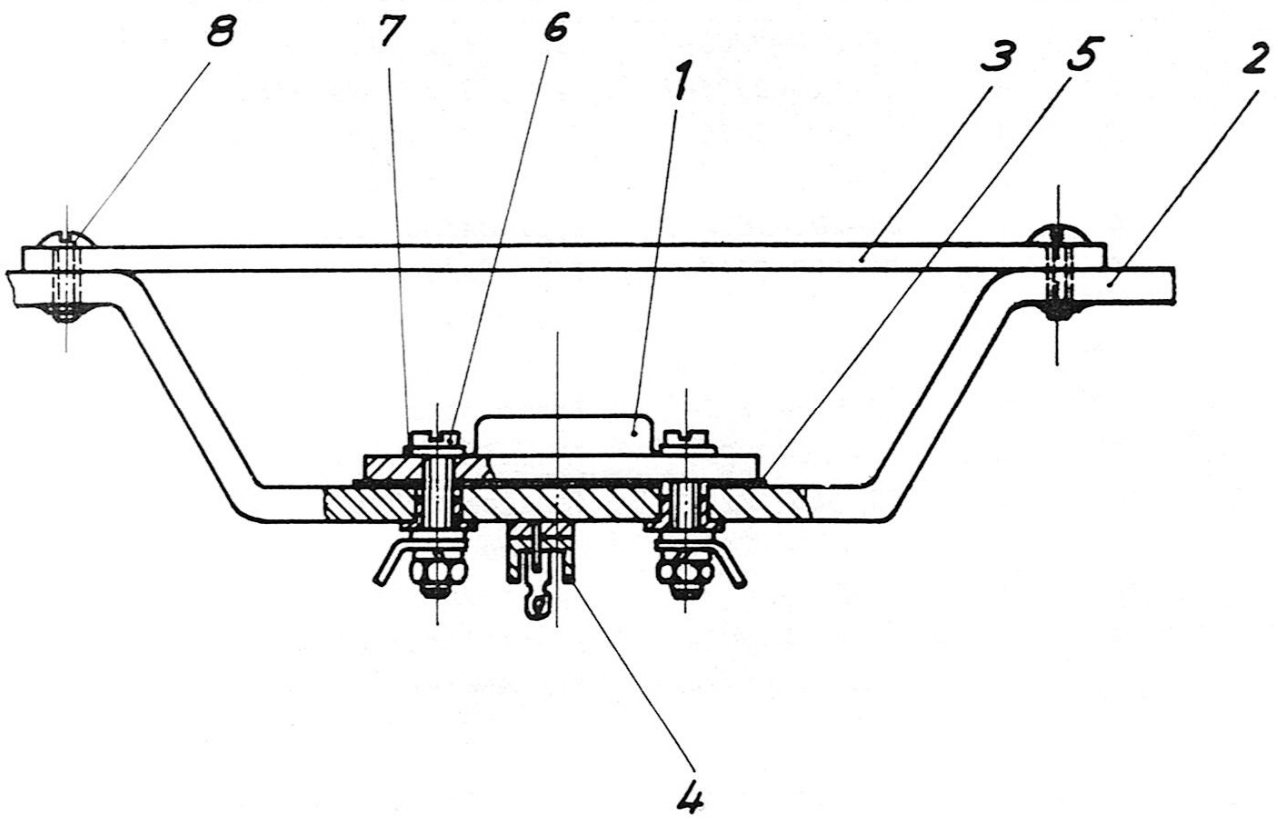
Power Supply Assembly

Table 6

Item #.	Qty	Part #	Description
		30-220-8000-0	Power supply assembly
1	1	22-220-8001-7	Power supply chassis
2	1	22-220-8015-2	Complete wiring harness
3	2	00-225-0235-8	Washer 3,2
4	4	00-201-3672-3	Cheese head screw M3x5
5	1	22-220-8015-4	Power supply PCB
6	1	00-445-6949-0	Female connector 20-pin
7*	1	00-803-1704-2	Transistor socket
8*	1	00-555-9743-4	Transistor
9	1	05-220-8025-4	Thermistor mount
10	3	00-468-1227-5	Insulating bush
11	2	00-468-1216-2	Solder tag
12	1	00-201-5412-2	Cheese head screw M3x16
13		00-456-4300-0	Wire (C) Y 2x0,14mm ²
14	1	00-411-0335-8	Thermistor

* Sits in the transistor housing, see next table !

Table 6



Transistor housing

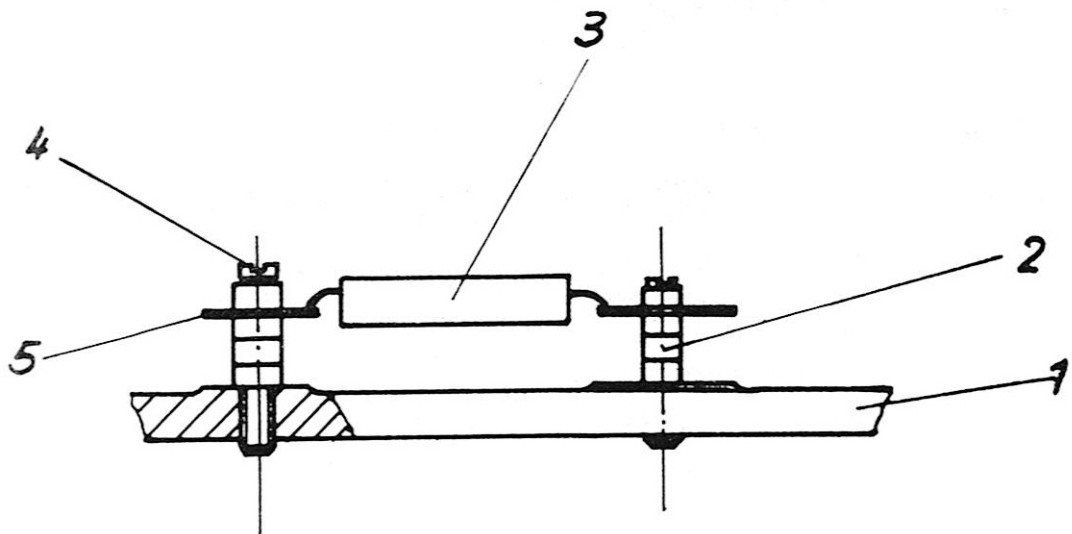
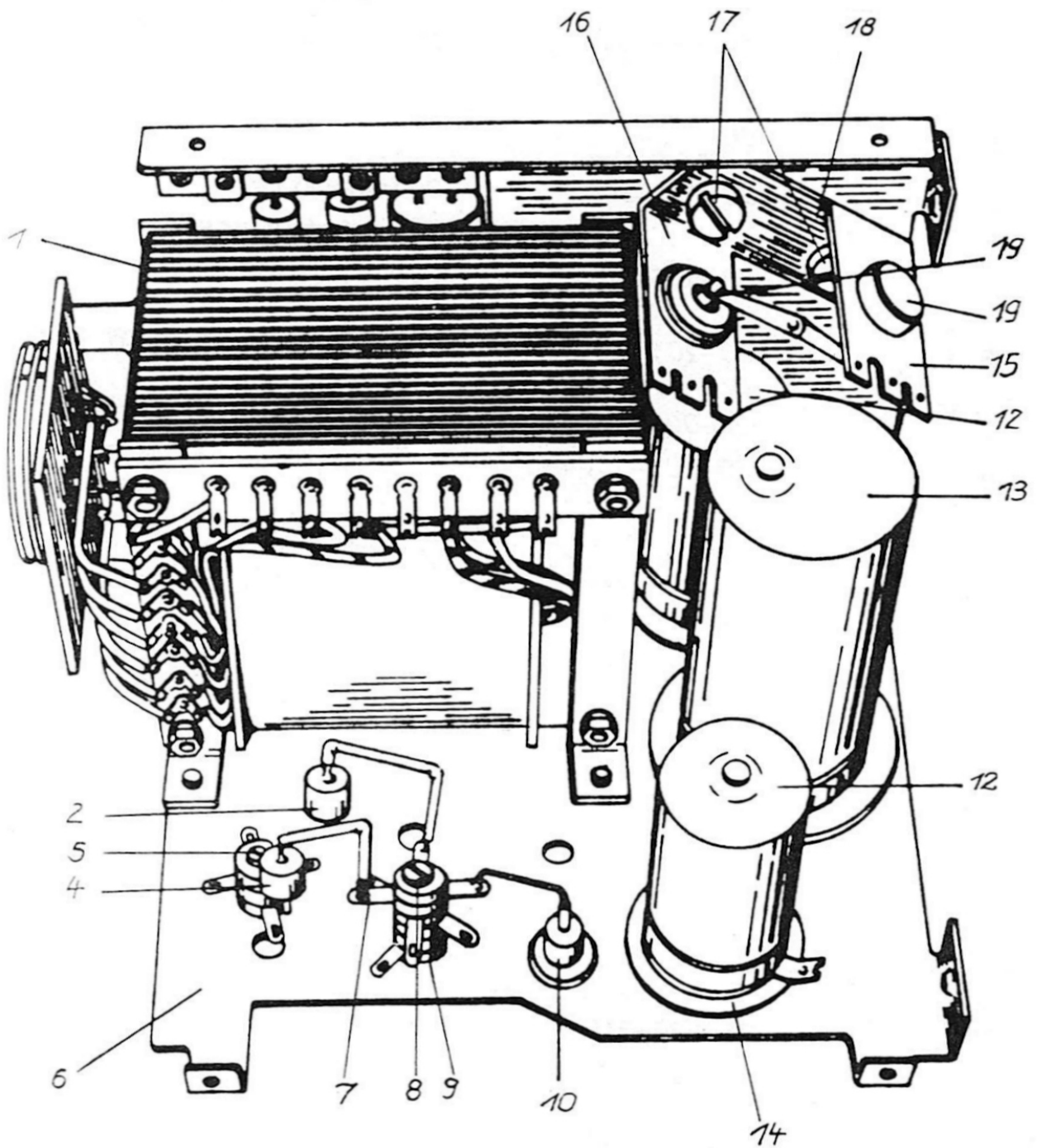


Table 7

Item #.	Qty	Part #	Description
1	1	00-555-9743-4	Transistor ASZ1015 β 29...55
2	1	06-220-2101-7	Transistor housing
3	1	05-220-3009-3	Base plate
4	1	00-803-1704-2	Transistor socket
5	1	00-555-8828-1	Insulating washer PE
6	2	00-201-5412-2	Cheese head screw M3x16
7	2	05-000-0806-8	Washer 3.2
8	2	00-203-1564-6	Fillister-head screw M3x20
1		05-220-3101-7	Transistor housing
2		00-408-1227-5	Insulating bush B
3		00-405-1552-0	Wire wound resistor 22 ohm
4		00-201-5425-1	Cheese head screw M3x20
5		00-468-4432-1	Solder tag 1A 6C

The transistor housing is supplied only on special order, under entry of the old transistor housing.

Table 8

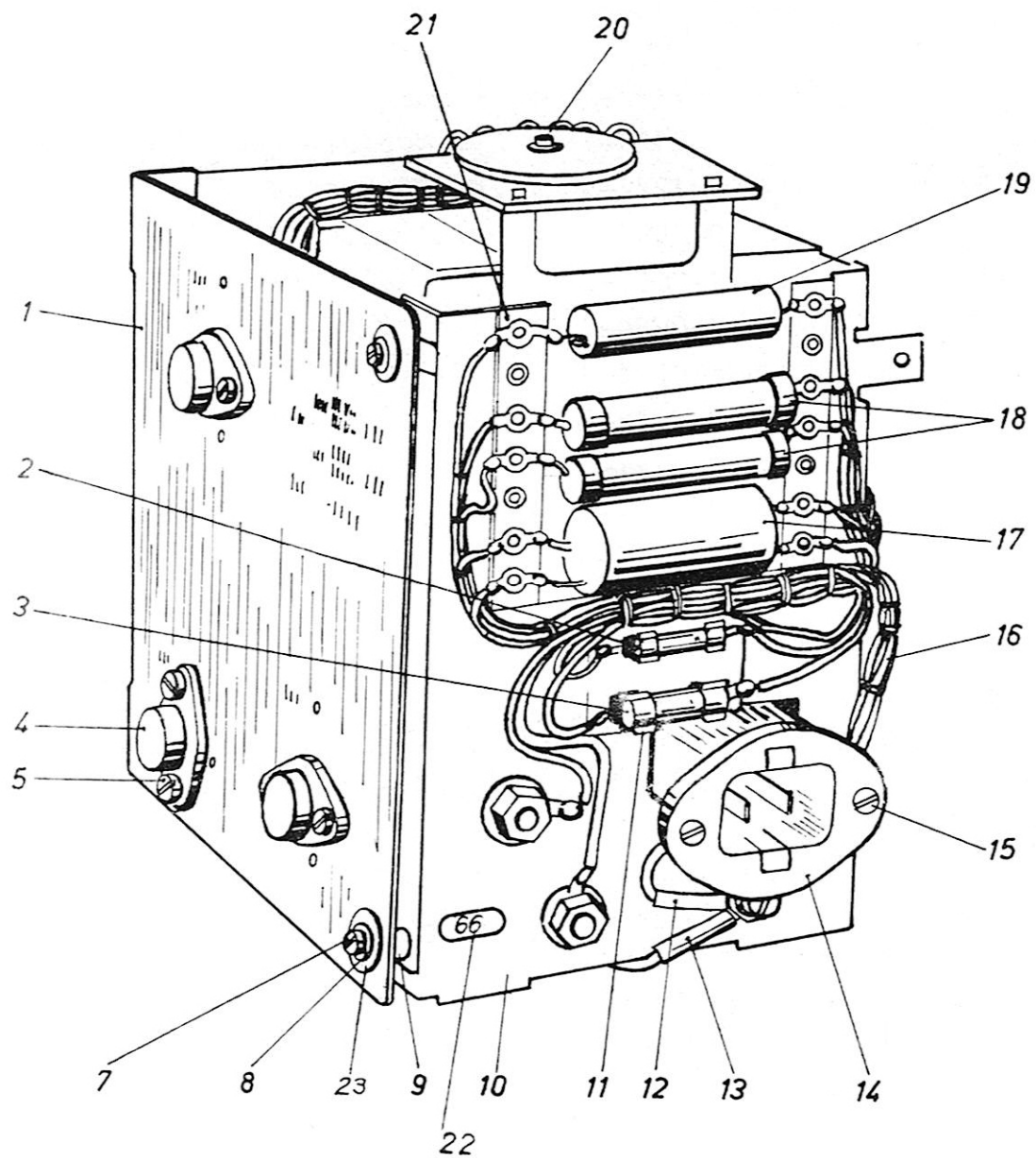


Power Supply Assembly

Table 8

Item #.	Qty	Part #	Description
		30-220-8000-0	Power supply assembly
1	1	20-220-8008-1	Transformer
2	1	00-560-9639-1	Rectifier diode SY203
4	1	00-560-9639-1	Rectifier diode SY203
5	1	00-201-5412-2	Cheese head screw M3x16
6	1	22-220-8001-7	Power supply rack
7	5	00-468-1216-2	Solder tag
8	1	00-201-5425-1	Cheese head screw M3x20
9	7	00-468-1227-5	Insulating bush
10	1	00-560-6891-7	Power diode SZ512
12	2	00-421-0061-0	Electrolytic capacitor 100/150 555
13	1	00-421-0024-1	Electrolytic capacitor 05000/25
14	2	00-422-9411-1	Insulating washer A 32
15	1	12-382-2715-7	Rectifier bracket assembly
16	1	12-382-2717-3	Rectifier bracket assembly
17	2	00-201-4057-6	Cheese head screw M6X14
18	2	05-382-2715-3	Plate
19	2	00-560-1002-5	Germanium rectifier diode GY122

Table 9

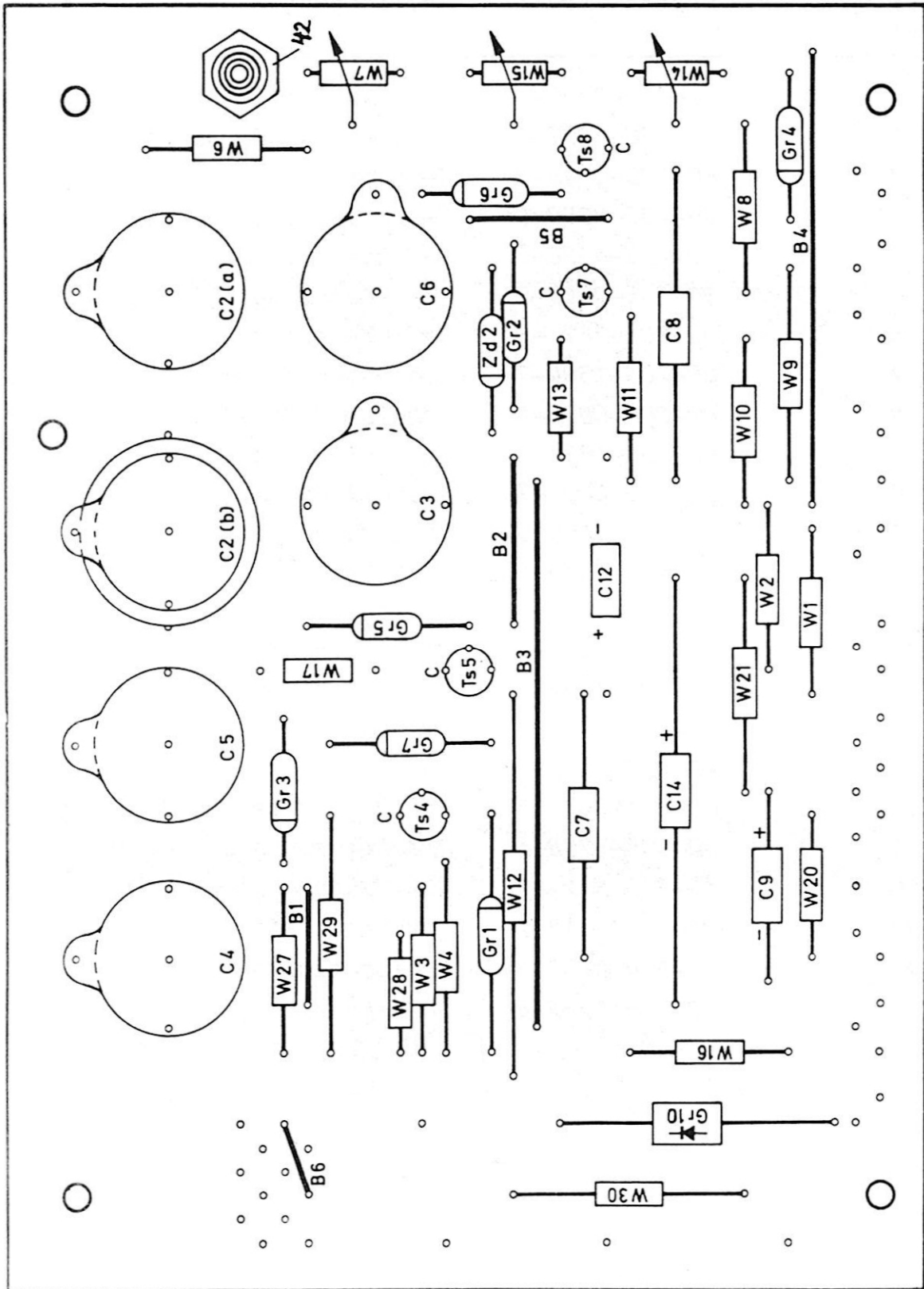


Power Supply Assembly

Table 9

Item #.	Qty	Part #	Description
		30-220-8000-0	Power supply assembly
1	1	22-220-8007-4	Heat sink assembly
2	1	00-435-0348-3	Fuse insert Si 1 } choice of
	or	00-435-0350-6	Fuse insert Si 1 }
3	1	00-435-0128-0	Fuse insert 2
4	3	00-555-0465-7	Transistor GD170B
5	6	00-201-3875-8	Cheese head screw M4x10
7	2	00-203-1584-7	Fillister-head screw M3x10
8	2	05-000-0855-8	Washer 3,2x8x 1
9	2	00-458-1227-5	Insulating bush
10	1	22-220-8001-7	Power supply rack
11	4	05-220-8009-0	Fuse holder
12	1	22-220-8019-5	Earth cable assembly
13	1	22-220-8018-7	Earth cable assembly
14	1	00-445-2096-5	Connector plug
15	2	00-204-1592-2	Countersunk screw M3x8
16	1	22-220-8016-2	Wiring harness
17	1	00-422-0182-4	Interference suppression capacitor
18	2	00-401-2419-5	Film resistor 10k ohm
19	1	00-405-8798-6	Wire wound resistor 56 ohm
20	1	14-220-8024-2	Voltage selector switch assembly
21	2	06-220-8011-3	Tag board
22	1	00-814-0150-3	Sliding sign
23	2	00-225-0235-8	Washer 3.2

Table 10



Power Supply PCB

Table 10

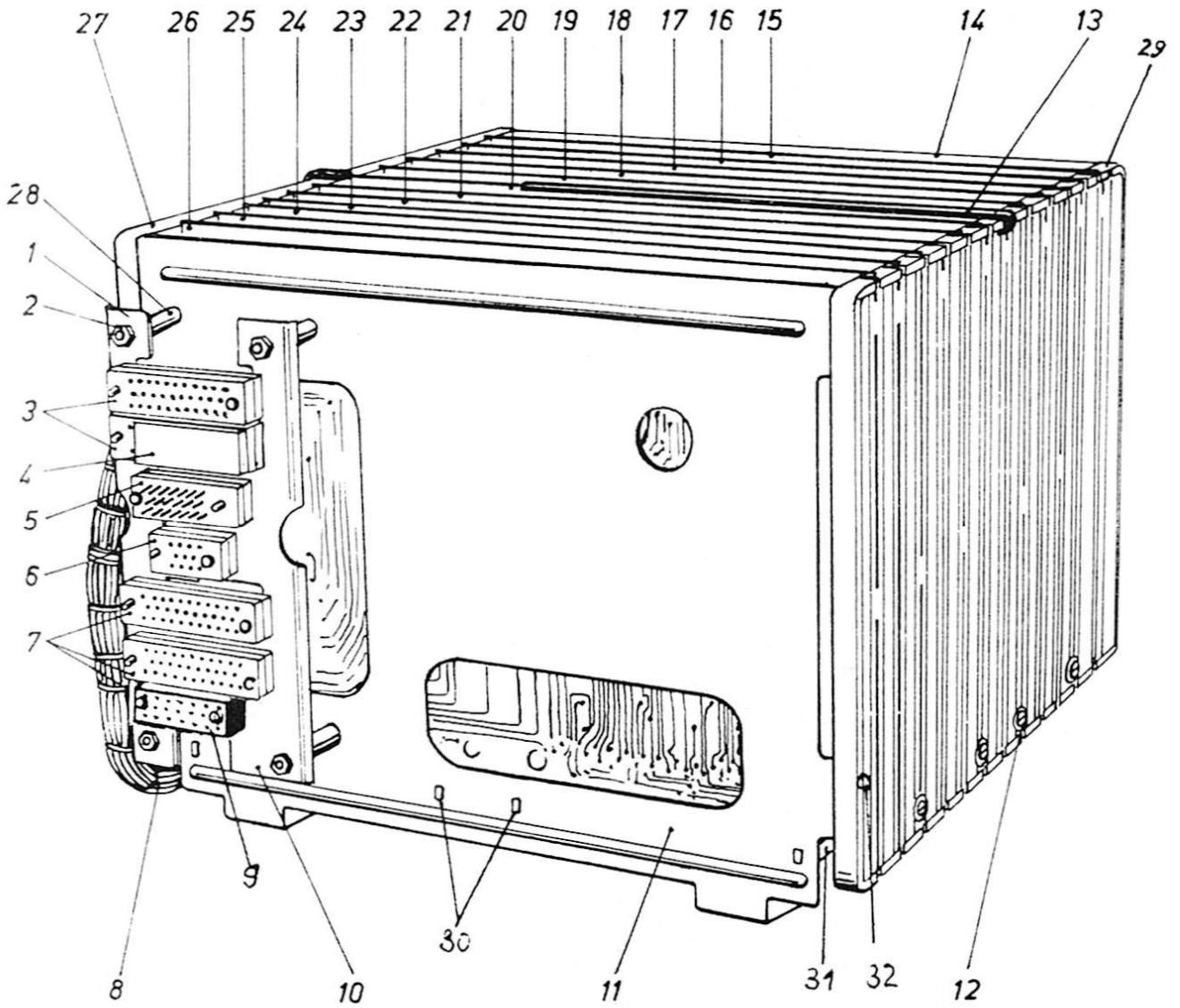
Item #.	Qty	Part #	Description	Ident
1	1	22-220-8015-4	Power supply PCB	
2	2	00-555-9524-8	Transistor SA25	
			$\beta=29...55$ $T_i \leq 10\mu S$	Ts4,7
3	2	00-555-9527-2	Transistor SA25	
			$\beta=72...166$ $T_i \leq 10\mu S$	Ts5,8
5	2	00-560-3979-3	Germanium diode GAZ17	Gr5,6
6	1	00-560-3307-2	Germanium rectifier	
			diode GY100	Gr7
7	2	00-560-6986-2	Switching diode GAY60	Gr1,2
8	1	00-421-6933-1	Silicon breakdown diode	
			SZX18/6,8	Zd2
12	1	00-421-1161-3	Electrolytic capacitor 1000/25	C2
13	3	00-421-1171-8	Electrolytic capacitor 500/25	C2 (a) C2 (b) C3
14	3	00-421-1166-2	Electrolytic capacitor 1000/15	C4-6
15	1	00-421-0231-5	Electrolytic capacitor 5/3	C2
16	1	00-421-0320-3	Electrolytic capacitor 2/50	C12
17	1	00-421-0305-1	Electrolytic capacitor 20/15	C14
18	1	00-421-3535-6	Paper capacitor	
			0,1/63 445	C7
19	1	00-421-3536-4	Paper capacitor	
			0,22/63-445	C8
20	1	00-401-1182-4	Film resistor 33 ohm	
			10% 25.518	W30
21	2	00-401-0594-7	Film resistor 1K ohm	
			10% 25.412	W1,9
22	1	00-400-9990-6	Film resistor 560 ohm	
			10% 25.311	W6
23	1	00-401-0111-5	Film resistor 1K ohm	
			10% 25.311	W21
24	1	00-400-9993-0	Film resistor 1K ohm	
			10% 25.311	W27

Table 10

Item #.	Qty	Part #	Description	Ident
25	2	00-406-9994-7	Film resistor 1,2k ohm 10% 25.311	W8, 12
26	1	00-401-0330-1	Film resistor 2,7k ohm 2% 25.311	W11
27	2	00-400-9998-8	Film resistor 2,7k ohm 10% 25.311	W4, 2
28	1	00-401-0123-5	Film resistor 3,3k ohm 5% 25.311	W16
30	1	00-411-0682-6	Film resistor 0,05W 100 ohm 10%	W28
31	1	00-411-1046-1	Film resistor 0,05W 200 ohm 5%	W20
32	1	00-411-0689-1	Film resistor 0,05W 220 ohm 10%	W13
33	1	00-411-0696-3	Film resistor 0,05W 390 ohm 10%	W3
34	2	00-411-1065-4	Film resistor 0,05W 1,5k ohm 5%	W17, 29
35	1	00-411-0732-0	Film resistor 0,05W 5,6k ohm 10%	W10
36	1	00-403-5898-2	Film resistor P1k ohm 1-1-554	W7
37	1	00-403-5901-3	Film resistor P10k ohm 1-1-544	W14
38	1	00-403-5900-1	Film resistor P5k ohm 1-1-544	W15
39	2	00-560-6988-7	Switch GAY61	Gr3, 1
40	1	00-560-9635-0	Si rectifier diode SY200	Gr10
41	6,3g	00-100-0024-5	Hollow wire 1.5 kol LSn60	
42	1	00-803-0871-6	Telephone lamp	

Page missing

Table 11



Computing part

Table 11

Item #.	Qty	Part #	Description
		30-220-7000-7	Arithmetic unit assembly
1	1	05-220-7022-8	Mounting plate, left
2	8	00-212-0899-7	Hexagon nut M3
3	2	00-445-6956-7	Miniature socket 31-pin
4	1	66-220-7644-1	Short-circuit plug
5	1	00-445-6896-3	Miniature plug 20-pin
6	1	00-445-6933-7	Miniature socket 11-pin
7	2	00-445-6966-7	Miniature socket 31-pin
8	1	18-220-7030-6	Wiring harness assembly
9	1	00-445-6949-0	Miniature socket 20-pin
10	1	05-220-7026-0	Mounting plate, right
11	1	06-220-7018-5	Side panel, right
12	4	05-220-7020-3	Spindle
13	2	05-220-7042-0	Retaining bracket
14	1	05-220-7017-2	Side panel, left
15	1	20-220-7012-7	Plug-in unit assembly #12
16	1	20-220-7011-0	Plug-in unit assembly #11
17	1	20-220-7010-2	Plug-in unit assembly #10
18	1	20-220-7009-6	Plug-in unit assembly #9
19	1	20-220-7008-8	Plug-in unit assembly #8
20	1	20-220-7007-1	Plug-in unit assembly #7
21	1	20-220-7006-2	Plug-in unit assembly #6
22	1	20-220-7005-5	Plug-in unit assembly #5
23	1	20-220-7004-7	Plug-in unit assembly #4
24	1	20-220-7003-0	Plug-in unit assembly #3
25	1	20-220-7002-2	Plug-in unit assembly #2
26	1	20-220-7001-4	Plug-in unit assembly #1
27	1	05-220-7015-6	PCB guide, front
28	4	05-220-7023-6	Threaded spacer
29	1	05-220-7016-4	PCB guide, rear
30	4	65-220-7019-7	Mounting plate for plug contact border
31	48	00-445-9560-3	31-pin multipole connector
32	8	00-203-0029-5	Fillister-head screw M3x6
		12-00-803-0307-8	Basket without plates

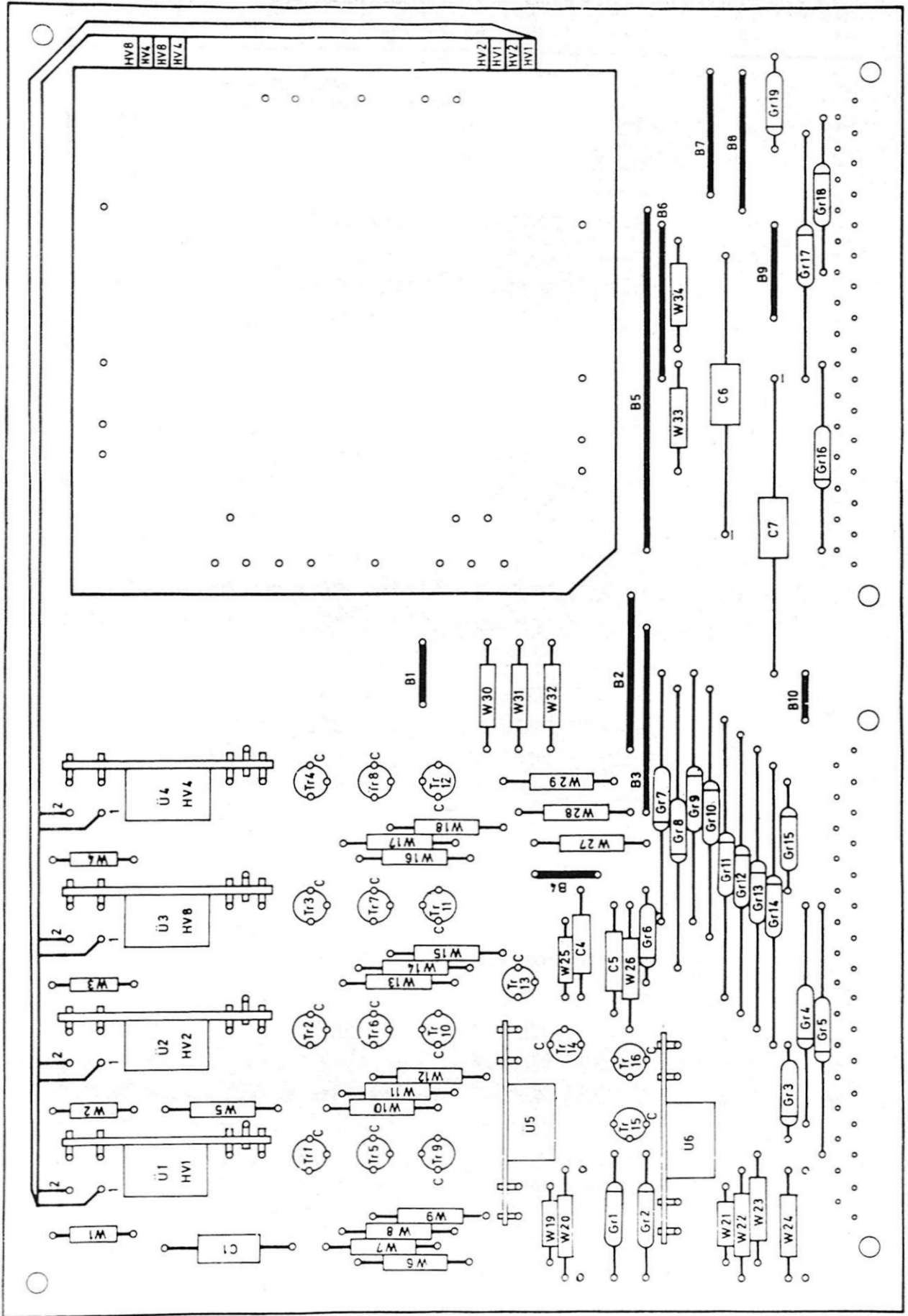


Table 12

Item #.	Qty	Description	Part #	Ident
1	1	Printed circuit board #1	05-220-7001-0	
2	2	31-pin multipole connector	00-445-9560-3	
3	4	Hollow rivet 3x0,25x8	00-224-0151-3	
4	4	Washer 3,2	05-000-0894-3	
6	16	Transistor socket	00-803-1701-8	
7	1	Matrix storage 4x8x12 570000	00-803-0403-8	
9	2	Transformer assembly	14-220-7041-7	U5;U6
10	4	Transformer assembly	14-220-7042-5	U1-4
11	1	Wiring harness plug-in unit	14-220-7050-5	
14	4	Transistor SB20 $\beta=29...55$	00-555-9532-8	Tr 9-12
15	8	Transistor SB20 $\beta=45...88$	00-555-9533-6	Tr 1-8
16	2	Transistor SB20 $\beta=72...166$	00-555-9534-4	Tr 14-15
		Transistor GS109E	00-555-1109-4	
17	2	Transistor SC20 $\beta=72...166$	00-555-9547-3	Tr 13; Tr 16
20	2	Polystyrene capacitor 220/10/63	00-420-4401-5	C 4-5
22	1	Paper capacitor 0,047/63 445	00-421-3534-8	C1
23	1	Electrolytic capacitor 20/15	00-421-0305-1	C6
24	1	Electrolytic capacitor 100/25	00-421-0313-1	C7
27	11	Germanium diode GAZ17	00-560-3979-3	Gr 9-19
28	2	Diode AC40	00-560-9525-3	Gr 1- 2
31	4	Film resistor 10 ohm 10% 0,05W	00-411-0659-0	W1-W4
32	1	Film resistor 15 ohm 10% 25.311	00-400-9971-3	W33
33	1	Film resistor 100 ohm 5% 25.311	00-401-0087-0	W5
		GS121b	00-555-3307-5	
		GS121c	00-555-3308	
		GS121c	00-555-3308-3	

Table 12

Item #.	Qty	Description	Part #	Ident
34	2	Film resistor 43 ohm 1% 11.511	00-401-8670-4	W28; W30
36	2	Film resistor 820 ohm 10% 25.311	00-400-9992-2	W20; W24
37	1	Film resistor 1K ohm 10% 25.311	00-400-9993-0	W34
38	1	Film resistor 6,8K ohm 5% 25.311	00-401-0131-6	W6
39	2	Film resistor 0,05W 10K ohm 10%	00-411-0739-4	W22-23
40	4	Film resistor 10K ohm 10% 25.311	00-401-0006-7	W7; W10; W13
41	2	Film resistor 0,05W 12K ohm 10%	00-411-0742-5	W25-26
42	4	Film resistor 12K ohm 10% 25.311	00-401-0007-5	W9; W11; W15; W11
43	2	Film resistor 0,05W 68k ohm 10% 25.311	00-471-0775-5	W9; W21
44	4	Film resistor 68K ohm 10% 25.311	00-401-0016-3	W8; W11; W14; W1
47	1	Wire link		B10
48	2	Wire link		B1; B4
49	1	Wire link		B9
50	1	Wire link		B7
51	1	Wire link		B8
52	2	Wire link		B2; B6
53	1	Wire link		B3
54	1	Wire link		B5
55	2	Silicon planar Diode SA40	00-560-9667-2	Gr 3;6
56	3	Silicon planar Diode SA403	00-560-9677-7	Gr 4;5;7
57	1	Silicon planar Diode SA403	00-560-9679-3	Gr 8

Page missing

Table 13

22-220-7002-2

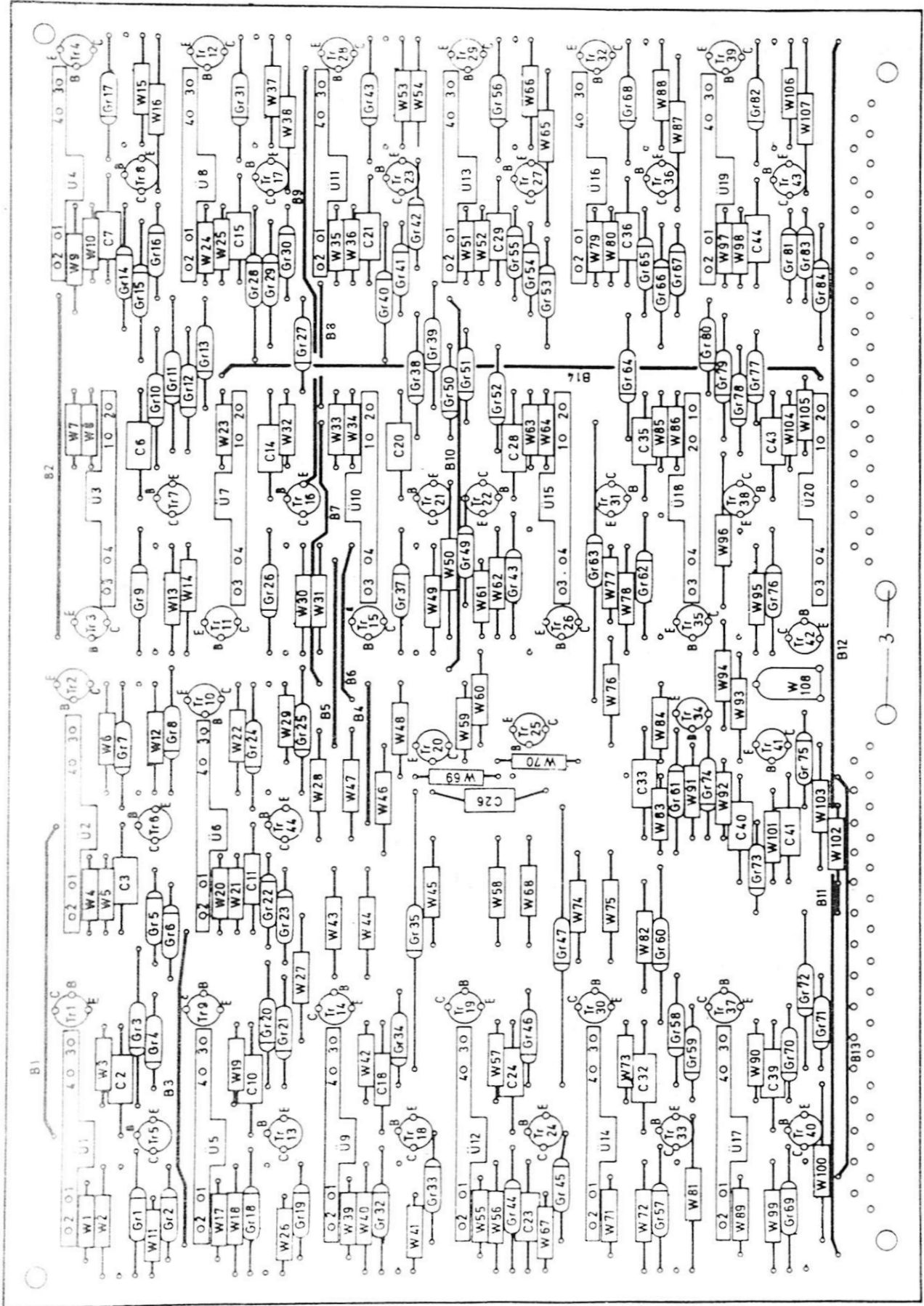


Table 13

Item #.	Qty	Description	Part #	Ident
1	1	Printed circuit board #2	05-220-7002-5	
2	2	31-pin multipole connector	00-445-9560-3	
3	4	Hollow rivet 3x0,25x8	00-224-0151-3	
5	2	Transformer assembly	14-220-7041-7	U1,5
or	2	Transformer assembly	14-220-7049-0	U1,5
6	18	Transformer assembly	14-220-7043-3	U2-4,6-20
or	18	Transformer assembly	14-220-7048-2	U2-4,6-20
7	2	Transistor SB20 $\beta=45...88$	00-555-9533-5	Tr34,41
8	1	Transistor SB20 $\beta=29...55$	00-555-9532-8	Tr25
9	21	Transistor SB 20 $\beta=72...166$	00-555-9534-4	Tr5-8,13,16- 18,20-24
or	21	Transistor SB20 GS109e	00-555-1109-4	27,31,33,35, 38,40,43,44
10	2	Transistor SC20 $\beta=72...166$	00-555-9547-3	Tr1,9
11	18	Transistor SC20 $\beta=45...88$	00-555-9544-0	Tr2-4,10-12, 14,15,19,26 28-30,32, 35, 37,39,42
13	1	Germanium diode GAZ17 (Special selection)	00-560-3981-6	Gr74
14	20	Diode AC40 (GAY63 OA741)	00-560-9525-3 00-560-9600-4) 00-560-2759-7)	Gr1,7,9,17, 18,24,26,31 48,56,57,62 68,69,76,82
15	1	Polystyrene capacitor 120/5/63	00-420-4345-7	C33
16	1	Polystyrene capacitor 680/5/63	00-420-4363-3	C41
17	1	Polystyrene capacitor 220/5/63	00-420-4351-2	C40
18	1	Polystyrene capacitor 470/10/63	00-420-4409-7	C26
19	1	Polystyrene capacitor	00-420-4401-5	C2,3,6,7,10, 11,14,15,18, 20,21,24,25, 28,29,32,35, 36,39,43,44

Table 13

Item #.	Qty	Description	Part #	Ident
21	2	Film resistor 39 ohm 1%, 11.511	00-401-8668-1	W47,75
22	2	Film resistor 43 ohm 1%,11.511	00-401-8670-4	W44,58
23	1	Film resistor 470 ohm 10% 0,05W	00-411-0706-4	W91
24	20	Film resistor 820 ohm 10% 25.311	00-400-9992-2	W2,6,13,15, 18,22,30,37, 40,49,53,56, 62,66,72,78, 88,95,99,106
25	20	Film resistor 1K ohm 10% 0,05W	00-411-0716-0	W101,103
26	3	Film resistor 1K ohm 10% 25.311	00-400-9993-0	W76,93,94
27	1	Film resistor 1,5k ohm 10% 25.311	00-400-9995-5	W60
28	2	Film resistor 4,7k ohm 10% 0,05W	00-411-0730-4	W102,103
29	1	Film resistor 8,2k ohm 0,05W	00-411-0736-1	W69
30	21	Film resistor 10k ohm 10% 0,05W	00-411-0739-4	W11,12,14, 16,26,29,31, 38,41,50,54,61 65,67,77,81,87 92,96,100,107
31	21	Film resistor 12k ohm 10% 0,05W	00-411-0742-5	WJ3,5,3,10, 19,21,25,32, 34,33,42,52, 57,53,70,73,80 85,90,93, 104
32	1	Film resistor 47k ohm 0,05W	00-411-0762-6	W48
33	1	Variable-film resistor S 50k ohm 1-05-554	00-403-5867-7	W108
34	1	Film resistor 56K ohm 10% 0,05W	00-411-0768-3	W84
35	21	Film resistor 68k ohm 10% 0,05W	00-411-0775-5	

Table 13

Item #.	Qty	Description	Part #	Ident
35	1	Wire link		B8
37	1	Wire link		B4
38	1	Wire link		B6
39	1	Wire link		B5
40	1	Wire link		B7
41	2	Wire link		B1,3
42	1	Wire link		B2
43	2	Wire link		B9,10
44	1	Wire link		B13
45		Wire link		B12,14
46	1	Wire link		B11
47	4	Washer 3,2		
49	20	Transistor pad	00-811-0430-2	
50	23	Silicon-Planar-Diode SA403	00-560-9667-2	Gr2,4-6,16,19 22,23,27,30,3 4,41,42,46,50, 51,54,55,59,67 70,71,73,75,77 80,81,83
51	10	Silicon-Planar-Diode SA403	00-560-9668-0	Gr13,21,33,45, 49,52,53,58,65 78
52	13	Silicon-Planar-Diode SA403	00-560-9669-7	Gr8,12,14,20, 25,29,38,39,61 64,66,79,84
53	3	Silicon-Planar-Diode SA403	00-560-9670-3	Gr10,15,40
54	5	Silicon—Planar-Diode SA403	00-560-9671-1	Gr3,11,28, 60,72
55	3	Silicon—Planar-Diode SA403	00-560-9679-3	Gr35,47,63

Table 13

22-220-7003-2

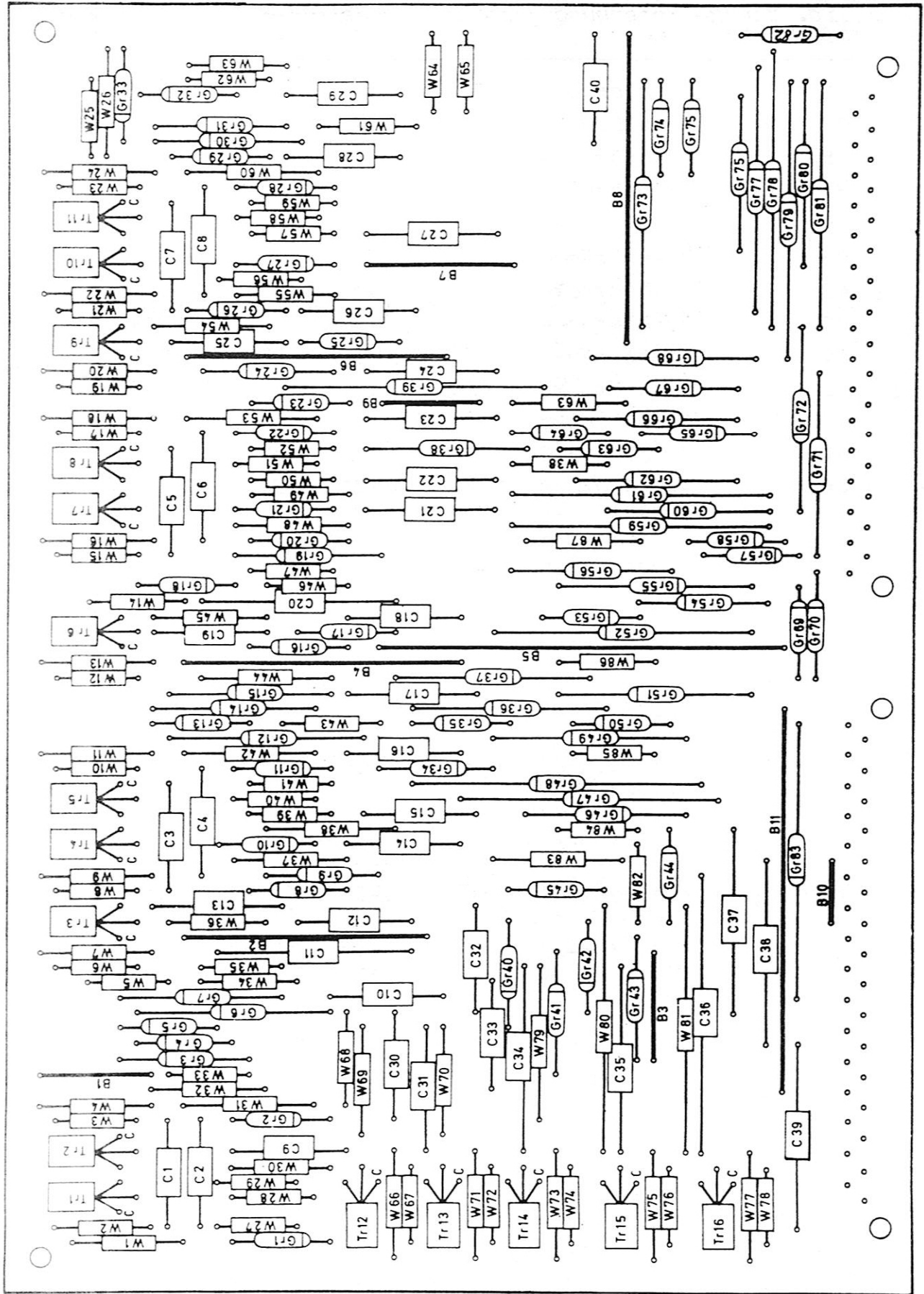


Table 14

Item #.	Qty	Description	Part #	Ident
1	1	Printed circuit board #3	05-220-7003-5	
2	2	31-pin multipole connector	00-445-9560-3	
3	4	Hollow rivet 3x0,25x8	00-224-0151-3	
4	4	Washer 3,2	05-000-0894-3	
6	8	Transistor GS122 $\beta=28...56$	00-555-9975-8	Tr1,2,4,5,7, 8,10, 11
	or	Transistor GS122 $\beta=45...90$	00-555-9976-6	same β for each FF
7	8	Transistor SA25 $\beta=72...166$	00-555-9527-2	Tr3,6,9,12-16
	4	Transistor GS121e	00-555-3310-6	T r3,6,9,12
10	8	Germanium diode GAZ17	00-560-3981-6	Gr1,2,10,11, 21,22,27,28
11	15	Germanium diode GAZ17	00-560-3979-3	Gr17,25,5 , 58, 69, 70-72, 76-82
12	16	Polystyrene capacitor 1000/10/63	00-420-4417-7	C1-9,13,19, 25,31,34-36
13	24	Polystyrene capacitor 560/5/63	00-420-4361-7	C10-12,14-19, 20-24,26-30, 32,33,37-40
14	32	Film resistor 0,05W 10k ohm 10%	00-411-0739-4	W5,14,25,26, 32-35,37,38, 43,44,45-49, 55, 56, 61-63, 65,68,69, 82-89
15	1	Film resistor 0,05W 4,7k ohm 10%	00-411-0730-4	W64
16	16	Film resistor 1,5k ohm 10% 25.311	00-400-9995-5	W1,44,7,9,11, 13,16,18,20, 22,24,5,5,71, 73,75,77

Table 14

Item #.	Qty	Description	Part #	Ident
17	16	Film resistor 12k ohm 10% 0,05W	00-411-0742-5	W27,30,31, 36,39,42,45, 50,53,54,57,6 60,70,79,80, 81
18	8	Film resistor 470 ohm 10% 0,05W	00-411-0706-4	W28,29,40., 41,51,52,58, 59
19	8	Film resistor 56k ohm 10% 0,05W	00-411-0768-3	G12,3,8,10, 15,17,21,23
20	8	Film resistor 68k ohm 10% 0,05W	00-411-0775-5	W16,12,19,67, 72,74,76,78
22	1	Wire link		B9
23	2	Wire link		B1,3
24	1	Wire link		B7
25	1	Wire link		B6
26	1	Wire link		B4
27	1	Wire link		B2
28	1	Wire link		B8
29	2	Wire link		B5,11
30	1	Wire link		B10
31	22	Si1izium-Planar- Diode SA403	00-560-9667-2	Gr4,5,8,13, 16,18,20,23, 26,29,32,33, 35,42,44,45, 50,53,63,64, 74,75
32	4	Silicon-Planar- Diode SA403	00-560-9668-0	Gr9,34,40,65
33	7	Silicon -Planar- Diode SA403	00-560-9669-7	Gr3,24,31,41, 43,54,67
34	2	Silicon-Planar- Diode SA403	00-560-9670-3	Gr,19,30,
35	10	Silicon -Planar- Diode SA403	00-560-9671-1	Gr7,14,15,38, 46,56,60,62,
36	7	Silicon -Planar- Diode SA403	00-560-9663-6	Gr6,12,26,37, 49,51,55
37	6	Silicon -Planar- Diode SA403	00-560-9677-7	Gr39,47,53 59,61,73
38	2	Silicon -Planar- Diode SA403	00-560-9679-3	Gr48,83

Page missing

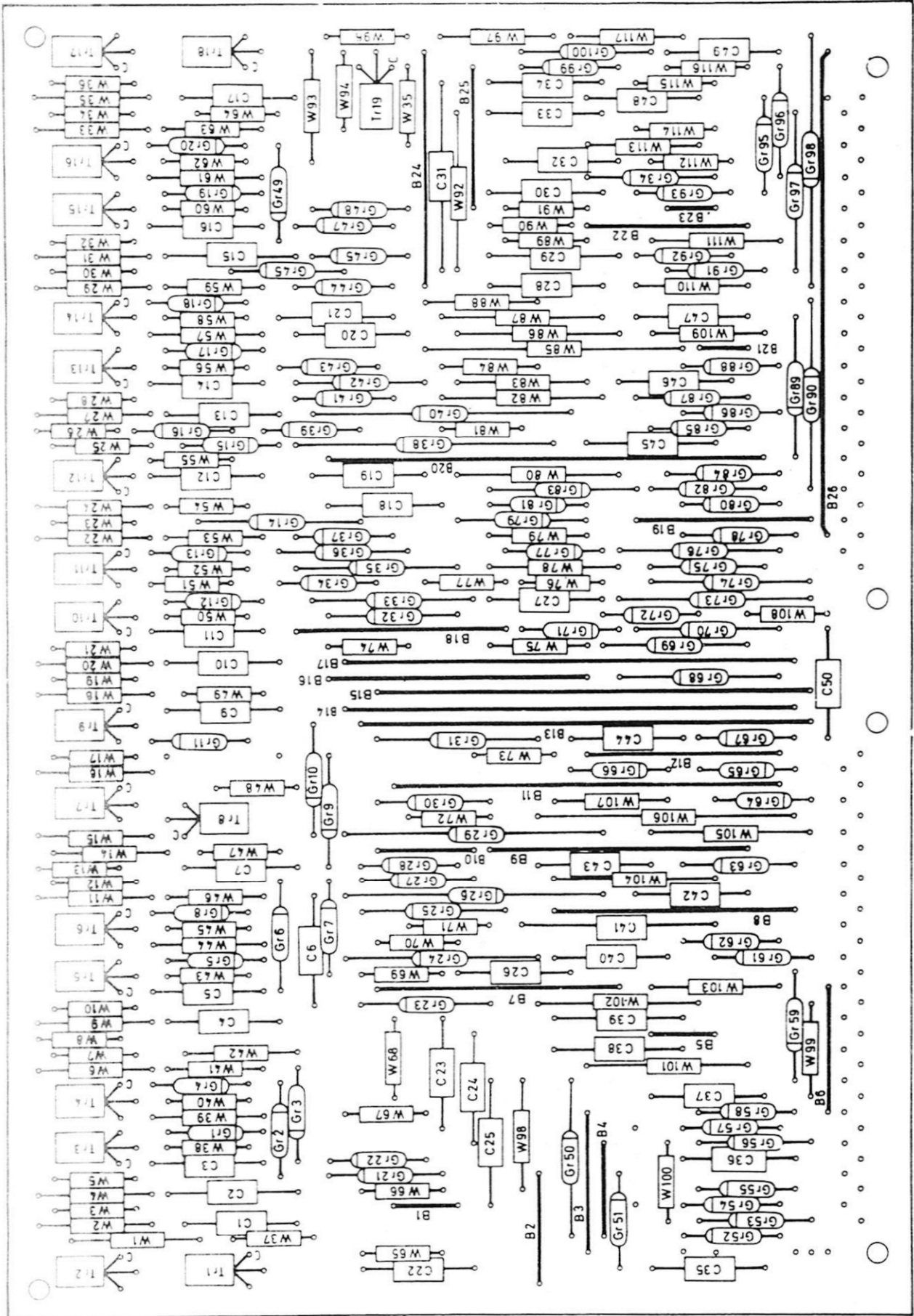


Table 15

Item #.	Qty	Description	Part #	Ident
1	1	Printed circuit board #4	05-220-7004-3	
2	2	31-pin multipole connector	00-445-9560-3	
3	4	Hollow rivet 3x0,25x8	00-224-0151-3	
4	4	Washer 3,2	05-000-0894-3	
7	10	Transistor GS122 $\beta=28...56$	00-555-9975-8	Tr3-6,10,11, 13-16
	or	Transistor GS122 $\beta=45...90$	00-555-9976-6	Same β for each FF
8	8	Transistor SA25 $\beta=72...166$	00-555-9527-2	Tr1,7-9,12, 17-19
	5	Transistor GS121e	00-555-3310-6	Tr7-9,12,18
9	1	Transistor SB20 $\beta=72...166$	00-555-9534-4	
		Transistor GS109e	00-555-1109-4	Tr2
11	9	Semiconductor diode GAZ17	00-560-3979-3	GR2,6,7, 9-11,16,69, 95
12	10	Germanium diode GAZ17 (Special selection)	00-560-3981-6	Gr1,4,5,8, 12,13,17-20
14	1	Polystyrene capacitor 220/10/63	00-420-4401-5	C1
15	32	Polystyrene capacitor 560/5/63	00-420-4361-7	C6,18-21, C23-30,32-50
16	16	Polystyrene capacitor 1000/10/63	00-420-4417-7	C2-5,7,9-17, 22,31
18	10	Film resistor 470 ohm 10% 0,05W	00-411-0706-4	W39,40,44,45, 51,52,57,58, 61,62
19	19	Film resistor 1,5k ohm 10% 25.311	00-400-9995-5	W2,4,6,9,11, 15,16,18,20, 22,24,27,29, 31,33,35,88, 97,98
20	1	Film resistor 0,05W 4,7k ohm 10%	00-411-0730-4	W80

Table 15

Item #.	Qty	Description	Part #	Ident
21	49	Film resistor 10k ohm 10% 0,05W	00-411-0739-4	W8,13,26,42, 54,66-79, 81-87,89-91, 93,99-117
22	19	Film resistor 0,05W 12K ohm 10%	00-411-0742-5	1Y37,38,41,43, 46-50,53,55, 56,59,60, 63-65,92,95
23	10	Film resistor 56k ohm 10% 0,05W	00-411-0768-3	115,7,10,12, 21,23,28,30,
24	9	Film resistor 68k ohm 10% 0,05W	00-411-0775-5	G11,3,14,17, 19,25,36,94, 96
27	2	Wire link		B21,823
28	2	Wire link		B1,85
29	2	Wire link		B4,8 10
30	1	Wire link		B2
31	1	Wire link		B6
32	2	Wire link		B3,925
33	1	Wire link		B22
34	1	Wire link		B19
35	1	Wire link		B12
36	1	Wire link		B18
37	3	Wire link		B7,B8,824
38	2	Wire link		B9,815
39	1	Wire link		B11
40	2	Wire link		B15,820
41	3	Wire link		B13,814,817
42	1	Wire link		B26
43	38	Silicon-Planar-Diode SA403	00-560-9667-2	Gr3,15,22,28, 34,37,39,41, 43,44,46-48, 51,52,54,55, 57,58,61,62, 64-67,71,72, 77,80,81,85, 85,88,91-93, 99

Table 15

Item #.	Qty	Description	Part #	Ident
44	14	Silicon-Planar-Diode SA403	00-560-9668-0	Gr21,27,30,45,53,56,59,63,75,78,82,84,87,96
45	7	Silicon-Planar-Diode SA403	00-560-9669-7	Gr23,32,36,42,7-9,94,100
46	4	Silicon-Planar-Diode SA403	00-560-9670-3	Gr25,70,83,89
47	9	Silicon-Planar-Diode SA403	00-560-9671-1	Gr14,31,33,35,50,68,74,76,97
48	3	Silicon-Planar-Diode SA403	00-560-9673-6	Gr24,73,90
49	5	Silicon-Planar-Diode SA403	00-560-9677-7	Gr26,29,38,40,98

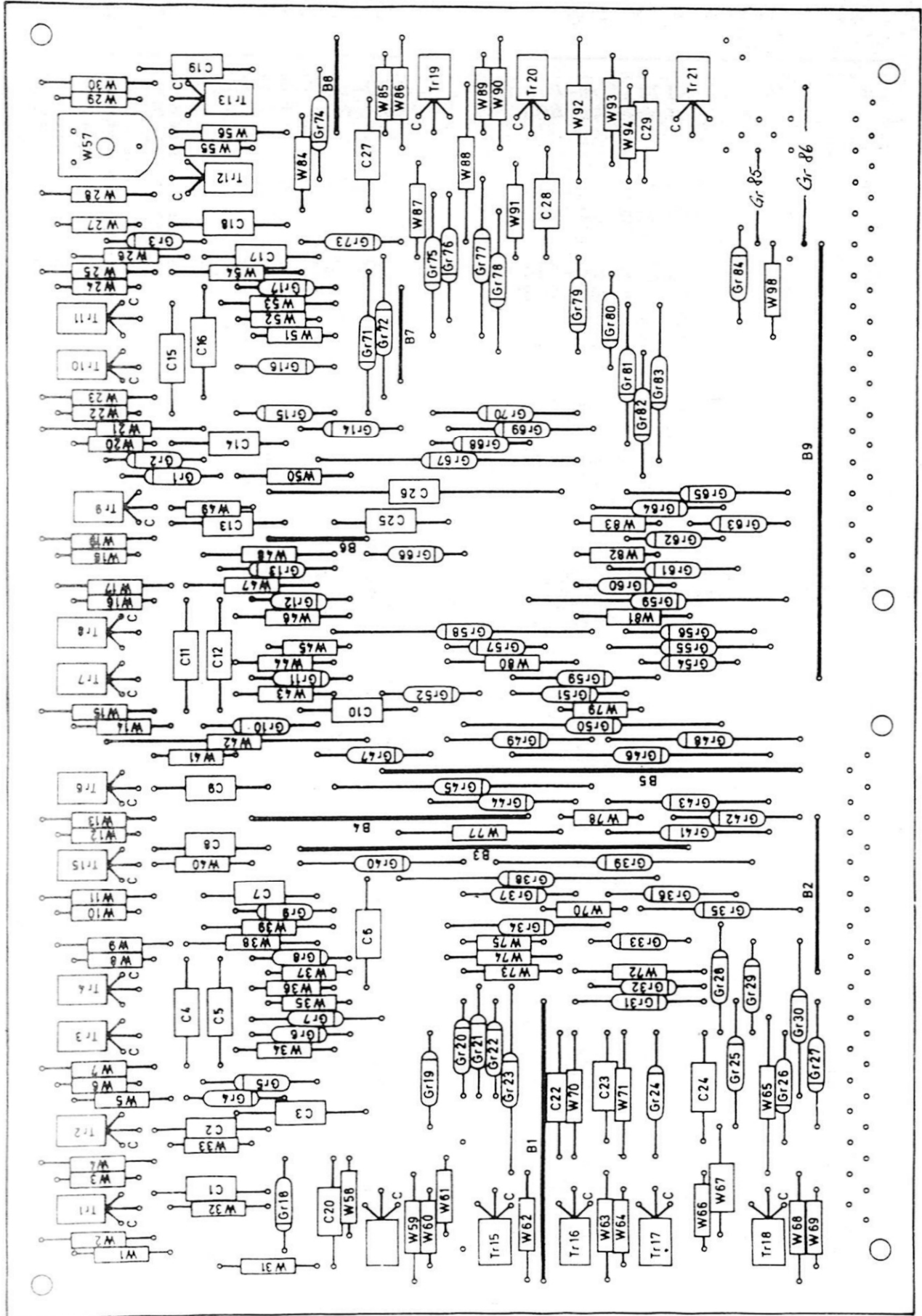


Table 16

Item #.	Qty	Description	Part #	Ident
1	1	Printed circuit board #5	05-220-7005-1	
2	2	31-pin multipole connector	00-445-9560-3	
3	4	Hollow rivet 3x0,25x8	00-224-0151-3	
4	4	Washer 3,2	05-000-0894-3	
7	6	Transistor GS122 $\beta=28...56$	00-555-9975-8	Tr3,4,7,8,10, 11
	or	Transistor GS122 $\beta=45...96$	00-555-9976-6	Same B for each FF
8	2	Switching transistor SA25 $\beta=45...88$ I0us	00-555-9526-4	Tr20,21
9	2	Transistor SB20 $\beta=29...55$	00-555-9532-8	Tr12,13
10	1	Transistor SB20 $\beta=72...166$	00-555-9534-4	Tr19
	or	Transistor GS109e	00-555-1109-4	
12	6	Germanium diode GAZ17	00-560-3981-6	Gr6,8,11,12,
13	10	Transistor SA25 $\beta=72...166$	00-555-9527-2	Tr1,2,5,6,9, 14-18
	6	Transistor GS121e	00-555-3310-6	Tr1,2,5,6,9, 15
14	3	Semiconductor diode GAZ17	00-560-3979-3	Gr7,72,73,
16	1	Polystyrene capacitor 220/10/63	00-420-4401-5	C27
17	8	Polystyrene capacitor 560/5/63	00-420-4361-7	C3,6,7,10,14, 17,25,26
18	16	Polystyrene capacitor 1000/10/63	00-420-4417-7	C1,2,4,5,8,9, 11-13,15,16,
19	2	Polystyrene capacitor 2200/5/63	00-420-4375-4	C20-22-24 C18,19
20	1	Polystyrene capacitor 2700/10/63	00-420-4427-3	C29

Table 16

Item #.	Qty	Description	Part #	Ident
22	1	Film resistor 330 Ohm 10% 25.518	00-401-1194-5	W92
23	7	Film resistor 470 ohm 10% 0,05W	00-411-0706-4	W36,37,44,46, 52,53,84
24	2	Film resistor 1K ohm 10% 0,05W	00-411-0716-6	W127,28
25	18	Film resistor 1,5k ohm 10% 25.311	00-400-9995-5	W2,4,7,9,11, 13,15,17,19, 23,25,30,59, 62,53,68,86, 90
25	1	Film resistor 4,7k ohm 10% 0,05W	00-411-0730-4	W94
27	27	Film resistor 10k ohm 10% 0,05W	00-411-0739-4	W5,20,21,26, 34,39,42,43, 48,50,55,56, 67,72-83,88, 98
28	18	Film resistor 12k ohm 10% 0,05W	00-411-0742-5	W32,33,35,36,38, 40,41,45,47, 49,51,54,58, 61,65,70,71, 87,91
30	1	Film resistor 39k ohm 10% 0,05W	00-411-0757-0	W93
31	6	Film resistor 56k ohm 10% 0,05W	00-411-0768-3	W6,8,14,16, 22,24
32	12	Film resistor 68k ohm 10% 0,05W	00-411-6775-5	W1,3,10,12,18, 31,60,64,66, 69,85,89
33	1	Film resistor 220k ohm 10% 0,05W	00-411-0788-4	W29
34	1	Variable film resistor S 1k ohm 1-05-554	00-463-5862-8	W57
38	3	Wire link	B6-8	
39	1	Wire link	82	
40	1	Wire link	84	

Table 16

Item #.	Qty	Description	Part #	Ident
41	1	Wire link		B1
42	1	Wire link		B3
43	1	Wire link		B5
44	1	Wire link		89
45	25	Silicon-planar-Diode SA403	00-560-9667-2	Gr1-4,9,14, 15,18-20,22, 29,33,52,54,57, 60,62,63,66,68, 79,80,84,85
46	11	Silicon-planar-Diode SA403	00-560-9668-0	Gr5,10,13,21, 215,28,32,37, 47,51,74
47	12	Silicon-planar-Diode SA403	00-560-9669-7	Gr24,25,27,31, 36,42,56,61, 64,76,82,86,
48	9	Silicon-planar-Diode SA403	00-560-9670-3	Gr44,49,53,69, 70-71,75,78, 81
49	10	Silicon-planar-Diode SA403	00-560-0671-1	Gr30,34,35,40, 41,43,55,65, 77,83
50	2	Silicon-planar-Diode SA403	00-560-9673-6	Gr23,48
51	8	Silicon-planar-Diode SA403	00-560-9677-7	Gr38,39,45, 46,50,58,59,67

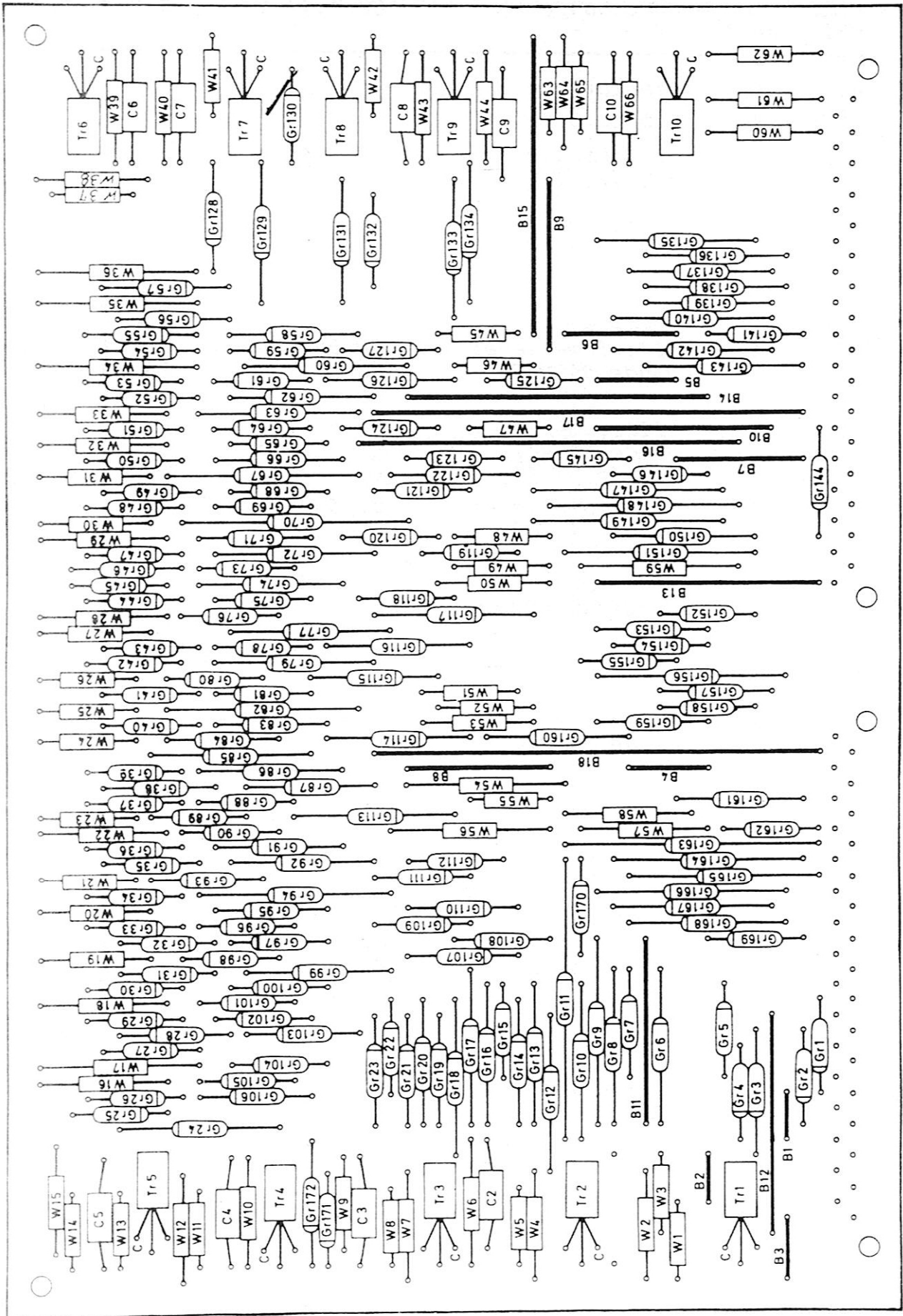


Table 17

Item #.	Qty	Description	Part #	Ident
1	1	Printed circuit board #6	05-220-7006-8	
2	2	31-pin multipole connector	00-445-9560-3	
3	4	Hollow rivet 3x0,5x8	00-224-0151-3	
4	4	Washer 3,2	05-000-0894-3	
7	9	Transistor SA25 $\beta=72...166$ Ti 10us	00-555-9527-2	Tr1-Tr9
	2	Transistor GS121e TGL 200-8434	00-555-3310-6	Tr1,7
8	1	Transistor SA25 $\beta=45...88$	00-555-9525-4	Tr10
10	2	Semiconductor diode GAZ17	00-560-3979-3	Gr2,3
14	9	Film resistor 1,5k ohm 10% 25.311	00-400-9995-5	W4,7,12,15, 38,60-62,54
15	1	Film resistor 4,7k ohm 10%,	00-411-6730-4	W59
16	36	Film resistor 10k ohm 10% 0,05W	00-411-0739-4	W2,15-36, 45-58
17	10	Film resistor 12k ohm 10% 0,05W	00-411-0742-5	W3,5,9,10,13, 29,40,43,44,66
18	10	Film resistor 68k ohm 0,05W	00-411-0775-5	W1,5,8,11,14, 37,41,42,53,65
22	9	Polystyrene capacitor 1000/10/63	00-420-4417-7	C2-C10
25	2	Wire link		B1,2
26	1	Wire link		B3
27	2	Wire link		B4,5
28	1	Wire link		B6
29	1	Wire link		B7
30	1	Wire link		B8
31	2	Wire link		B9,10
32	1	Wire link		B11
33	2	Wire link		B12,13

Table 17

Item #.	Qty	Description	Part #	Ident
34	2	Wire link		B14,15
35	1	Wire link		B16
36	1	Wire link		B17
37	1	Wire link		B18
40	80	Silicon-Planar-Diode SA403	00-560-9667-2	Gr1,4,5,15, 22,25-27, 29-37,39-45, 47-54,59,61, 64,65,68,69, 73,75,75,78, 80,81,88-90, 96-98,100-102, 104,105,128, 109,111,112, 118-121,123- 125,127,137, 132,141,145, 146,152,154, 155,158,162, 169,170,171
41	23	Silicon-Planar-Diode SA403	00-560-9668-0	Gr7,19,21,23, 28,38,46,55, 56,71,83,84, 93,95,103,106, 107,110,128, 144,153,157, 159
42	14	Silicon-Planar-Diode SA403	00-560-9669-7	Gr14,20,57, 58,66,87,91, 115,122,126, 131,139,161, 172
43	17	Silicon-Planar-Diode SA403	00-560-9670-3	Gr13,16,62,74, 86,92,99,114, 116,129,133, 134,136-138, 150,160
44	21	Silicon-Planar-Diode SA403	00-560-9671-1	Gr6,8,10,12,17, 18,24,60,63,72, 77,79,85,113, 117,135,140, 142,143,167, 168

Table 17

Item #.	Qty	Description	Part #	Ident
45	12	Silicon-Planar-Diode SA403	00-560-9673-5	Gr9,67,82, 94,147-149, 151,156, 164-166
46	1	Silicon-Planar-Diode SA403	00-560-9675-2	Gr70
47	1	Silicon-Planar-Diode S4403	00-560-9677-7	Gr163
48	1	Silicon-Planar-Diode SA403	00-560-9679-3	Gr11

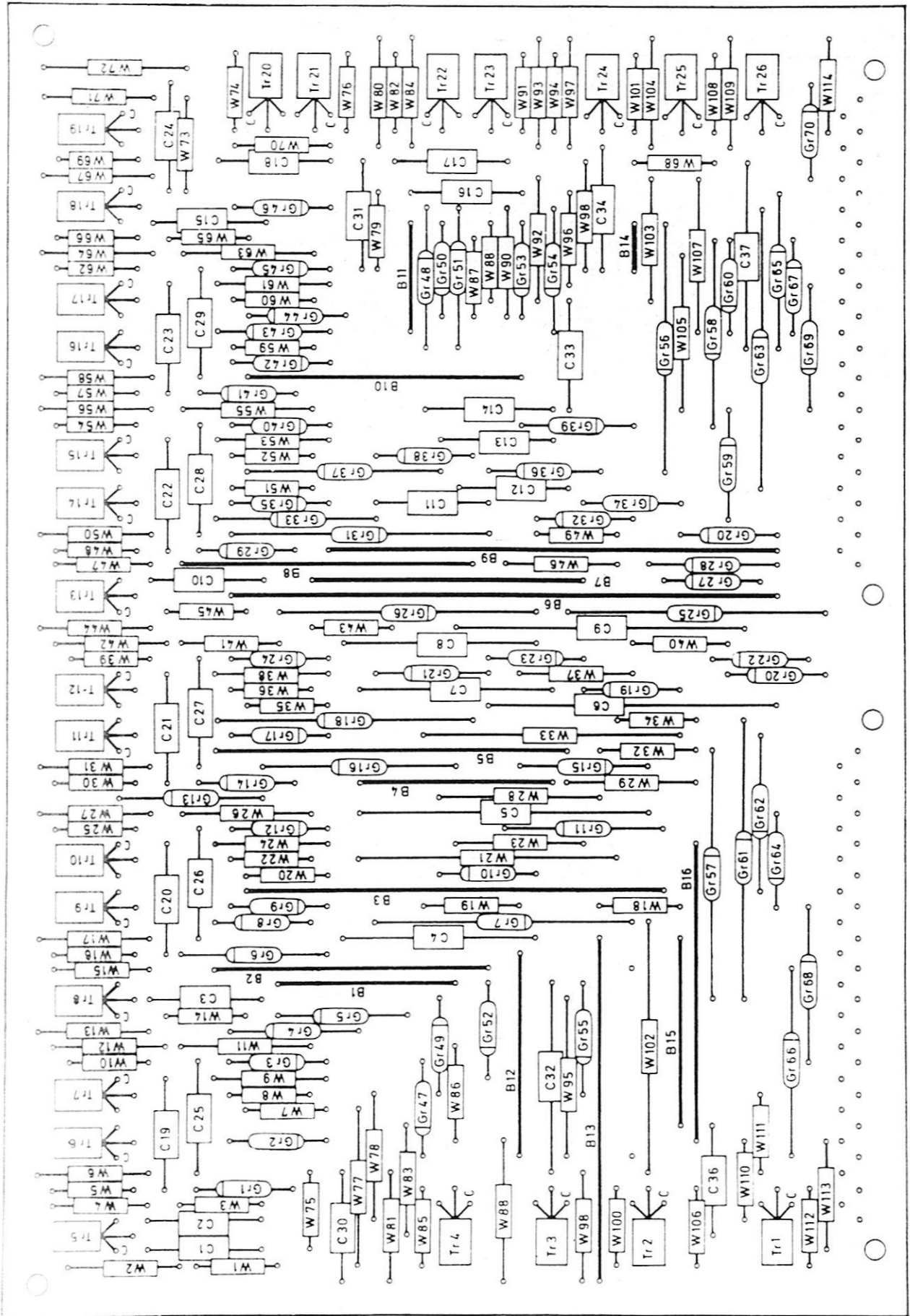


Table 18

Item #.	Qty	Description	Part #	Ident
1	1	Printed circuit board #7	05-220-7007-6	
2	2	31-pin multipole connector	00-445-9560-3	
3	4	Hollow rivet 3x0,25x8	00-224-0151-3	
4	4	Washer 3,2	05-000-0894-3	
6	12	Transistor GS122 $\beta=28...56$	00-555-9975-8	Tr6,7,9, 10-12,14-17 22,23
	or	Transistor GS122 $\beta=45...90$	00-555-9976-6	Tr6,7,9, 10-12,14-17, 22,23
8	5	Transistor SA25 $\beta=45...88$	00-555-9526-4	Tr1,2,4,5,13
9	8	Transistor SA25 $\beta=72...166$	00-555-9527-2	Tr8,18-21, 24-26
	8	Transistor GS121e	00-555-3310-6	Tr8,18-21, 24-26
10	1	Transistor SB 20 $\beta=72..166$	00-555-9534-4	Tr3
12	11	Germanium diode GAZ17	00-560-3979-3	Gr19,21,23, 28,32,38,52, 55,60,62,64
13	12	Germanium diode GAZ17 (Special selection)	00-560-3981-6	Gr2,3,8,12, 17,24,35,40, 42,45,50,53
14	2	Semiconductor diode GAY63	00-560-9699-4	Gr7,47
16	1	Polystyrene capacitor 220/10/63	00-420-4401-5	C32
17	12	Polystyrene capacitor 560/5/63	00-420-4361-7	C4,5,6,7,8, 9,11,12,13, 14,30,33
18	21	Polystyrene capacitor 1000/10/63 TGL 5155	00-420-4417-7	C2,3,10,15, 16,17,19,20, 21,22,23,24, 25,26,27,28, 29,31,34,36, 37

Table 18

Item #.	Qty	Description	Part #	Ident
19	1	Polystyrene capacitor 2200/10/63	00-420-4425-1	C18
20	1	Polystyrene capacitor 2700/10/63	03-420-4427-3	C1
22	2	Film resistor 330 ohm 10% 25.518	00-401-1194-5	W72,89
23	12	Film resistor 470 ohm 10% 0,05W	00-411-0706-4	W18,9,22,24, 36,38,52,53, 60,61,88,90
24	1	Film resistor 820 ohm 10% 25.412	00-401-0593-0	W80
25	23	Film resistor 1,5k ohm 10% 25.311	00-400-9995-5	W2,6,12,13,17, 27,31,42,44,50, 56,58,64,67,71, 81,84,93,97,98, 104,109,113
26	1	Film resistor 2,2k ohm 10% 0,05W	00-411-0722-4	W70
27	2	Film resistor 4,7k ohm 10% 0,05W	00-411-0730-4	W1,U105
28	23	Film resistor 10k ohm 10% 0,05W	00-411-0739-4	W18,19,21,23, 28,29,32,33,34, 37,40,43,46,49, 75,77,78,83,86, 96,103,111,114
29	24	Film resistor 12k ohm 10% 0,05W	00-411-0742-5	W3,7,11,14,20, 26,35,41,45,51, 55,59,63,65,68, 73,79,87,92,95, 99,102,107,110
30	1	Film resistor 15k ohm 10% 0,05W	00-411-0745-8	W74
31	1	Film resistor 39k ohm 10% 0,05W	00-411-0757-0	W85
32	12	Film resistor 56k ohm 10% 0,05W	00-411-0768-3	W5,10,16,25, 30,39,48,54, 57,62,82,91
33	12	Film resistor 68k ohm 10% 0,05W	00-411-0775-5	W4,15,47,66, 69,76,94,100, 101,105,108,112

Table 18

Item #.	Qty	Description	Part #	Ident
35	1	Wire link		B14
36	1	Wire link		B11
37	1	Wire link		B1
38	2	Wire link		B14,B15
39	1	Wire link		B12
40	3	Wire link		B2,B7,B10
41	1	Wire link		B8
42	1	Wire link		B16
43	2	Wire link		B13
44	1	Wire link		B3
45	1	Wire link		B9
46	1	Wire link		B6
47	16	Silicon-Planar-Diode SA403	00-560-9667-2	Gr1,8,10,14,20,22,27,29,30,34,41,44,45,49,67,70
48	4	Silicon-Planar-Diode SA403	00-560-9668-0	Gr36,39,43,59,
49	5	Silicon-Planar-Diode SA403	00-560-9669-7	Gr4,5,15,514,69,
50	4	Silicon-Planar-	00-560-9670-3	Gr6,13,148,51
51	4	Silicon-Planar-Diode SA403	00-560-9671-1	Gr11,33,65,68
52	4	Silicon-Planar-Diode SA403	00-560-9673-6	Gr16,37,58,66
53	6	Silicon-Planar-Diode SA403	00-560-9677-7	Gr18,25,26,31,56,57 31,56,57
54	2	Silicon-Planar-Diode SA403	00-560-9679-3	Gr61,63

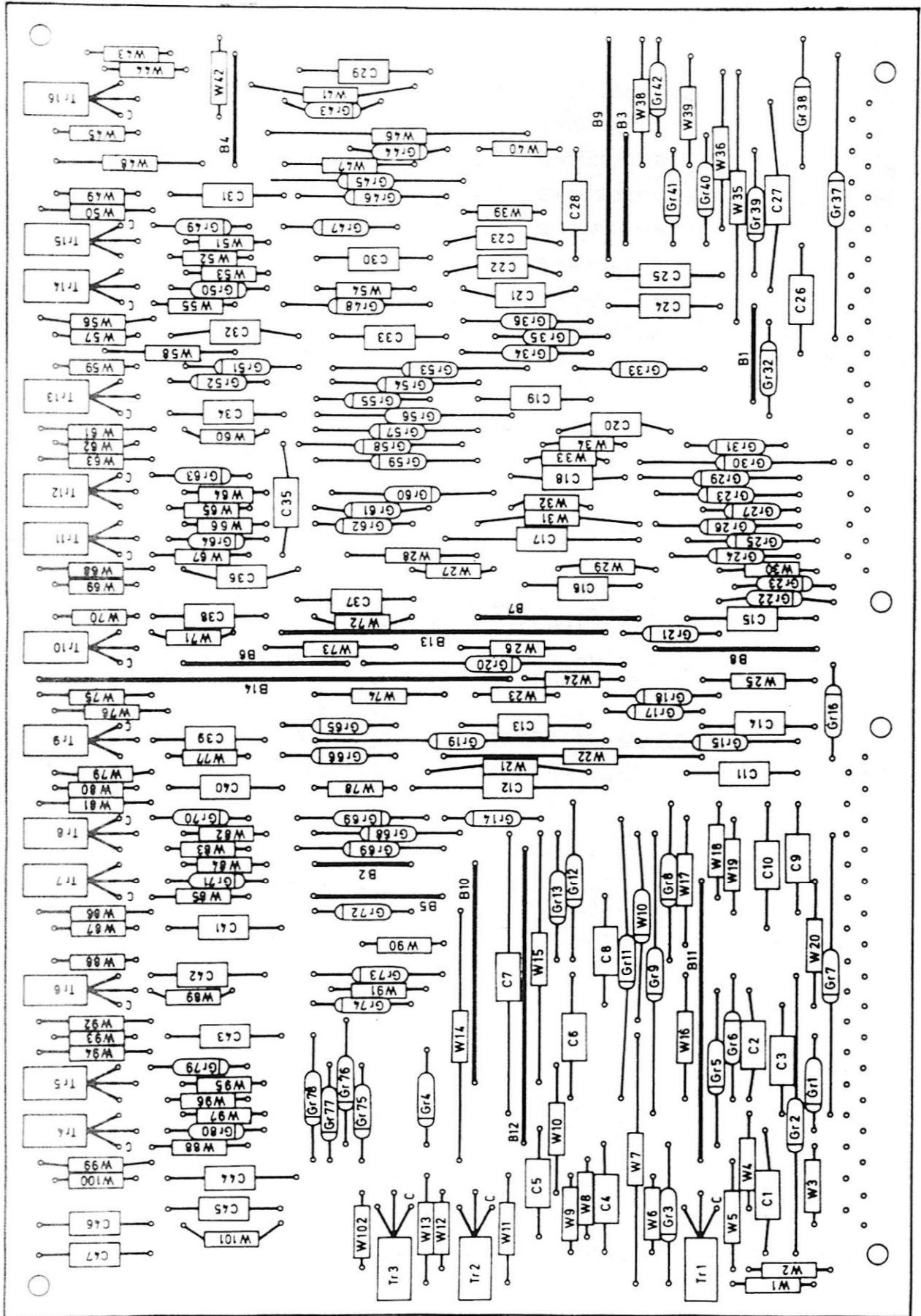


Table 19

Item #.	Qty	Description	Part #	Ident
1	1	Printed circuit board #8	05-220-7008-4	
2	2	31-pin multipole connector	00-445-9560-3	
3	4	Hollow rivet 3x0,25x8	00-224-0151-3	
4	4	Washer 3,2	05-000-0894-3	
8	1	Transistor SA25 $\beta=29...5$ $T_i=10\mu s$	00-555-9524-8	Tr3
9	8	Transistor GE122 $\beta=28...56$	00-555-9975-8	Tr4,5,7,8, 11,12,14,15
	or	Transistor GS122 $\beta=45...90$	00-555-9976-6	Same B for each FF
10	1	Transistor SA25 $\beta=45...88$	00-555-9526-4	Tr2
11	6	Transistor SA25 $\beta=72...166$ $T_i=10\mu s$	00-555-9527-2	Tr1,6,9,10, 13,16
	or	Transistor GS121e TGL 200-8434	00-555-3310-6	
14	8	Semiconductor diode GAZ17 (Special selection)	00-560-3981-6	Gr49,50,63, 64,70,71, 79,80
15	1	Semiconductor diode GA17	00-560-3979-3	Gr16
18	32	Polystyrene capacitor 560/5/63	00-420-4361-7	C1-3,6-30, 33,37,46,47
19	14	Polystyrene capacitor 1000/10/63	00-420-4417-7	C4,31,32, 34-36,38-45
20	1	Polystyrene capacitor 2700/10/63	00-420-4427-3	C5
23	8	Film resistor 0,05W 470 ohm 10%	00-411-0706-4	W52,53,65, 66,83,84, 96,97
24	1	Film resistor 1,2k ohm 10% 25.518	00-401-1201-3	W48,

Table 19

Item #.	Qty	Description	Part #	Ident
25	15	Film resistor 1,5k ohm 10% 25.311	00-400-9995-5	W5,11,13,50, 56,61,63,68, 75,76,81,86, 92,94,99
26	1	Film resistor 4,7K ohm 10% 0,05W	00-411-0730-4	W9
27	46	Film resistor 10k ohm 10% 0,05W	00-411-0739-4	W1-4,7,10, 14-44,47,54, 58,72-74,78, 90,91
28	14	Film resistor 12k ohm 10% 0,05W	00-411-0742-5	W8,51,55,60, 64,67,71,77, 82,85,89,95, 98,101
29	1	Film resistor 39k ohm 10% 0,05W	00-411-0757-0	W12
36	8	Film resistor 56k ohm 10% 0,05W	00-411-0768-3	W49,57,62, 69,80,87,93, 100
31	7	Film resistor 68k ohm 10% 0,05W	00-411-0775-5	W6,46,59,70, 79,88,102
32	1	Film resistor 100k ohm 10% 0,05W	00-411-0781-0	W45
35	2	Wire link		B1,2
36	2	Wire link		B3,
38	1	Wire link		B5
39	3	Wire link		B6-8
40	2	Wire link		B9,10
41	1	Wire link		B11
42	1	Wire link		B12
43	1	Wire link		B13
	1	Wire link		B14
45	19	Silicon-Planar- Diode SA403	00-560-9667-2	Gr1,4,14,17, 21,23,27,31, 32,41-44,52, 62,72,74,75, 77
46	10	Silicon-Planar- Diode SA403	00-560-9668-0	Gr18,22,35, 40,47,51,55, 61,65,66

Table 19

Item #.	Qty	Description	Part #	Ident
47	13	Silicon-Planar-Diode SA403	CO-560-9669-7	Gr6,13,24, 25,33,34, 36,38,39, 67,73,76,78
48	8	Silicon-Planar-Diode SA403	00-560-9670-3	Gr3,26,28, 46,48,54,68, 59
49	9	Silicon-Planar-Diode SA403	00-560-9671-1	Gr5,8,12,15, 29,57-60
50	5	Silicon-Planar-Diode SA403	00-560-9673-6	Gr16,30,45, 53,56
51	1	Silicon-Planar-Diode SA403	00-560-9677-7	Gr20
52	6	Silicon-Planar-Diode SA463	00-560-9679-3	Gr2,7,9,11, 19,37

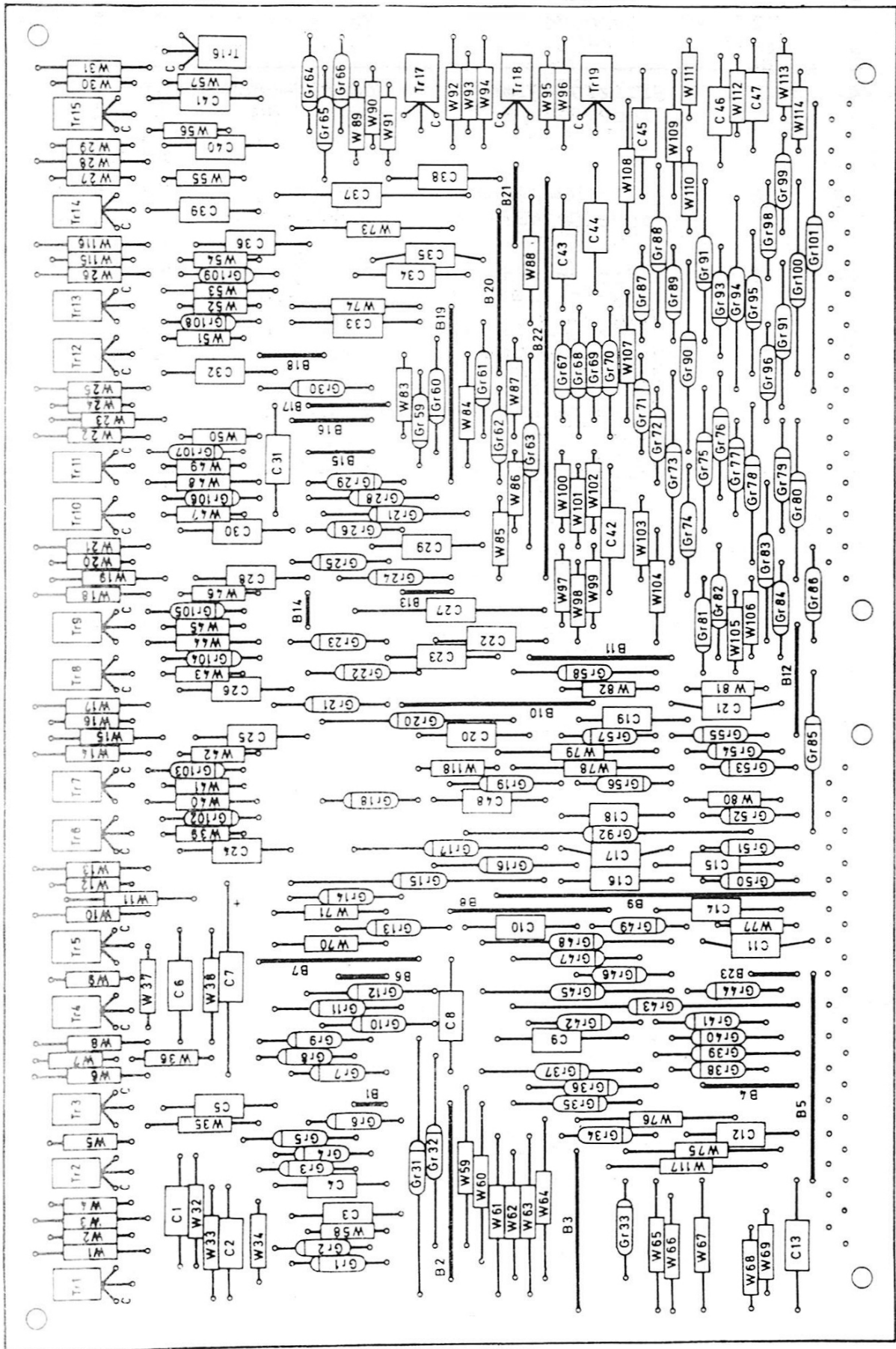


Table 20

Item #.	Qty	Description	Part #	Ident
1	1	Printed circuit board #9	05-220-7009-2	
2	2	31-pin multipole connector	00-445-9560-3	
3	4	Hollow rivet 3x0,25x8	00-224-0151-3	
4	4	Washer 3x0,25x8	05-000-0894-3	
8	8	Transistor GS122 $\beta=28...56$	00-555-9975-8	Tr6-13
	or	Transistor GS122 $\beta=45...90$	00-555-9976-6	Same B for each FF
9	2	Transistor SA25 $\beta=45...88$	00-555-9626-4	Tr4,5
10	9	Transistor SA25 $\beta=72...166$	00-555-9527-2	Tr1-3,14-19
	8	Transistor GS121e	00-555-3310-6	Tr1-3,14-18
13	9	Germanium diode GAZ17 (Special selection)	00-560-3981-6	Gr53,102-109
14	2	Diode AC40	00-560-9525-3	Gr33,39
16	1	Film resistor 1,8k ohm 10% 25.311	00-400-9996-3	W18
17	18	Film resistor 1,5k ohm 10% 25.311	00-400-9995-5	W1,3,6,10, 13,14,17,18,
18	10	Film resistor 68k ohm 10% 0,05W	00-411-0775-5	W2,4,5,27,29, 30 93,95,110, 111
19	8	Film resistor 56k ohm 10% 0,05W	00-411-0768-3	W12,15,16,19, 20,23,24,115
20	18	Film resistor 12k ohm 10% 0,05W	00-411-0742-5	W32,33,35,37, 39,42,43,46 47,50,51, 54-57,73, 74,88

Table 20

Item #.	Qty	Description	Part #	Ident
21	46	Film resistor 10k ohm 10% 0,05W	00-411-0739-4	W34,58-68, 70,71,75-87, 89-91,97-104, 106,108,109, 112-114, 117-118
22	2	Film resistor 4,7k ohm 10% 0,05W	00-411-0730-4	W11,69
23	1	Film resistor 0,05W 3,9k ohm 2%	06-411-1068-7	W36
24	1	Film resistor 0,05W 2,7k ohm 10%	00-411-0724-0	W38
25	1	Film resistor 0,05W 2,2k ohm 2%	00-411-1071-8	W7
26	8	Film resistor 0,05W 4,7k ohm 10%	00-411-0706-4	W40,41,44,45, 48,49,52,53
27	2	Film resistor 0,05W 100 ohm 10%	00-411-0682-6	W105,107
28	1	Film resistor 0,05W 82 ohm 2%	00-411-1058-2	W9
30	1	Electrolytic capacitor 20/15	00-421-0305-1	C7
32	1	Polystyrene capacitor 2700/10/63	00-420-4427-3	C6
33	17	Polystyrene capacitor 1000/10/63	00-421-4417-7	C1,2,5, 24-26,28, 30-33,36,37
34	27	Polystyrene capacitor 560/5/63	00-420-4361-7	C3,4,8-12, 14-23,27,29, 45-46
35	2	Paper capacitor 0,047/6 3-445	00-421-3534-8	C13,44
37	2	Wire link	B1,B14	
38	3	Wire link	B6,13,23	
39	2	Wire link	B15,18	
40	3	Wire link	B16,17,21	
41	1	Wire link	B4	
42	1	Wire link	B12	
43	1	Wire link	B11	

Table 20

Item #.	Qty	Description	Part #	Ident
44	4	Wire link		B3,7,8,20
45	2	Wire link		B2,19
46	1	Wire link		B16
47	1	Wire link		B5
43	1	Wire link		B9
49	1	Wire link		B22
50	40	Silicon-Planar-Diode SA403	00-560-9667-2	Gr1-4,6-8, 18,23,25,26, 29,34,38,44, 46,49,52, 54-57,59,62, 64,66,67,69, 71,72,77,81, 84,86,87,89, 96,98
51	19	Silicon-Planar-Diode SA403	03-560-9668-0	Gr5,9,10,13, 14,19,21,22, 24,30,40-42, 60,61,65,79, 82,93
52	10	Silicon-Planar-Diode SA403	00-560-9669-7	Gr11,12,28, 35,36,47,68, 70,74,76,
53	6	Silicon-Planar-Diode SA403	00-560-9670-3	Gr16,27,58, 75,95,97
54	7	Silicon-Planar-Diode SA403	00-560-9671-1	Gr37,78,80, 83,85,88,91
55	10	Silicon-Planar-Diode SA403	00-560-9673-6	Gr17,20,32, 45,48,63,73, 90,94,100
56	2	Silicon-Planar-Diode SA403	00-560-9677-7	Gr15,31
57	3	Silicon-Planar-Diode SA403	00-560-9679-3	Gr43,92,101

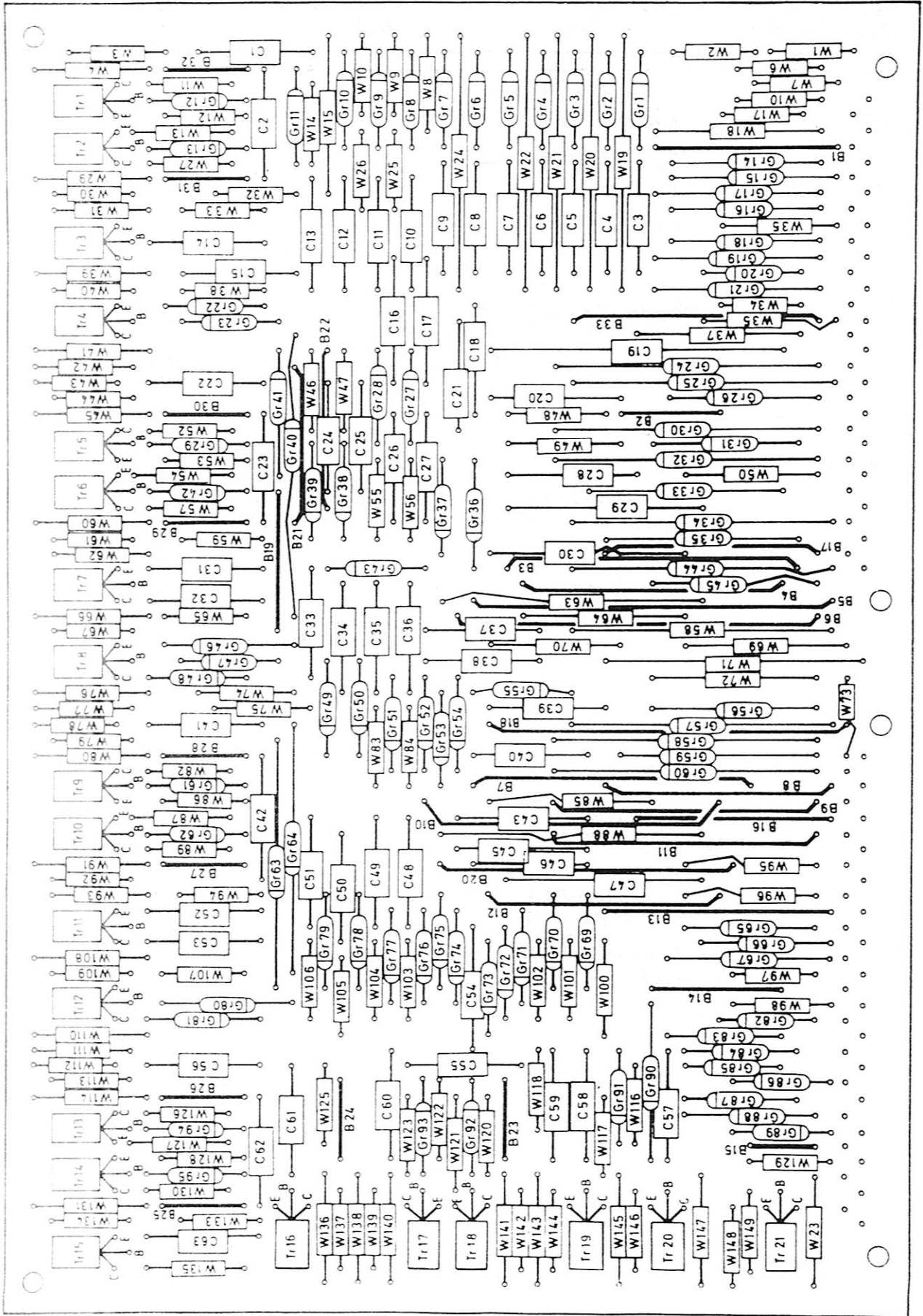


Table 21

Item #.	Qty	Description	Part #	Ident
1	1	Printed circuit board #10	05-220-7010-7	
2	2	31-pin multipole connector	00-445-9560-3	
3	4	Hollow rivet 3x0,25x8	00-224-0151-3	
4	4	Washer 3,2	05-000-0894-3	
6	10	Transistor GS122 $\beta=28...56$	00-555-9975-8	Tr1,2,5,6, 9,10,13,14, 17,18
	or	Transistor GS122 $\beta=45...90$	00-555-9975-5	Same B for each FF
7	2	Transistor SA25 $\beta=45...88$	00-555-9526-4	Tr20,19
8	9	Transistor SA25 $\beta=72...166$	00-555-9527-2	
	or	Transistor GS121e	00-555-3310-6	Tr3,4,7,8, 11,12,15,15, 21
9	7	Semiconductor diode GAZ17	00-560-3979-3	Gr83-35,87, 88,90,91
10	10	Semiconductor diode GAZ17 (Special selection)	00-560-3981-6	Gr12,13,29, 42,51,62, 92-95
11	1	Polystyrene capacitor 2700/10/63	00-420-4427-3	C58
12	20	Polystyrene capacitor 1000/10/63	00-420-4417-7	C1,2,14,15, 22,23,31,32, 41,42,52,53, 55-57,59-63
13	34	Polystyrene capacitor 560/5/63	00-420-4361-7	C3-13,18,21, 14-27,23-40, 43,45-51,54
14	7	Paper capacitor 0,047/63-445	00-421-3534-2	C16,17,19,20, 28-30
15	1	Film resistor 4,7k ohm 10% 0,05W	00-411-6730-4	W117

Table 21

Item #.	Qty	Description	Part #	Ident
16	1	Film resistor 39k ohm 10% 0,05W	00-411-0757-0	W146
17	7	Film resistor 100 ohm 10% 0,05W	00-411-0682-6	W2,7,17,35, 37,95,97
18	11	Film resistor 470 ohm 10% 0,05W	00-411-0706-4	W12,13,53, 54,86,87, 122,121,127, 128,150
19	10	Film resistor 56k ohm 10% 0,05W	00-411-0768-3	W3,30,44,61, 79,92,113, 134,139,142
20	11	Film resistor 68K ohm	00-411-0775-5	W31,40,62,67, 70,93,109, 135,137,144, 148
21	20	Film resistor 12k ohm 10% 0,05W	00-411-0742-5	W11,27,52,33, 38,57,59,65, 82,89,94,107, 116,118,120, 125,126,130, 123,133
22	20	Film resistor 1,5k ohm 10% 25.311	00-400-9995-5	W4,23,29,39, 41,45,60,66, 76,80,91,108, 116,114,131, 136,138,140, 141,145
23	57	Film resistor 10k ohm 10% 0,05W	00-411-0739-4	W1,6,8-10,14, 15-16,18,19-22, 24-26, 32,34,36, 42,43,46-50,55, 56,63,64,68,69, 71-75,77,78, 83-85,88,96,98, 100-106,111, 112,129,143, 149
24	1	Film resistor 1,5k ohm 5% 0,05W	00-411-1065-4	W7

Table 21

Item #.	Qty	Description	Part #	Ident
25	1	Wire link		B1
26	10	Wire link		B23-32
27	1	Wire link		B2
28	1	Wire link		B7
29	3	Wire link		B4,9,11
30	3	Wire link		B5,6,18
31	3	Wire link		B8,13,12
32	3	Wire link		B10,20,3
33	1	Wire link		B16
34	1	Wire link		B17
35	1	Wire link		B19
36	2	Wire link		B21,22
37	1	Wire link		B14
38	1	Wire link		B15
39	0,05m	Insulating sleeving A 0,5x1,0 S	00-460-1987-1	
40	1	Wire link	05-220-1714-3	B33
41	42	Silicon-Planar- Diode SA403	00-560-9667-2	Gr1-11,20,22, 23,27,28,37- 39,43,47-55, 69-79,82,89
42	2	Silicon-Planar- Diode SA403	00-560-9668-0	Gr36,81
43	4	Silicon-Planar- Diode SA403	00-560-9669-7	Gr46,65,65, 80
44	5	Silicon-Planar- Diode SA403	00-560-9670-3	Gr14,16,18, 26,31
45	7	Silicon-Planar- Diode SA403	00-560-9671-1	Gr15,17,19, 21,45,55,57
46	3	Silicon-Planar- Diode SA403	00-560-9673-5	Gr33,35,59
47	11	Silicon-Planar- Diode SA403	00-560-9677-7	Gr24,25,30,32, 34,44,57,58, 60,53,64
48	2	Silicon-Planar- Diode SA403	00-560-9679-3	Gr40,41

Table 22

20-220-7011-0

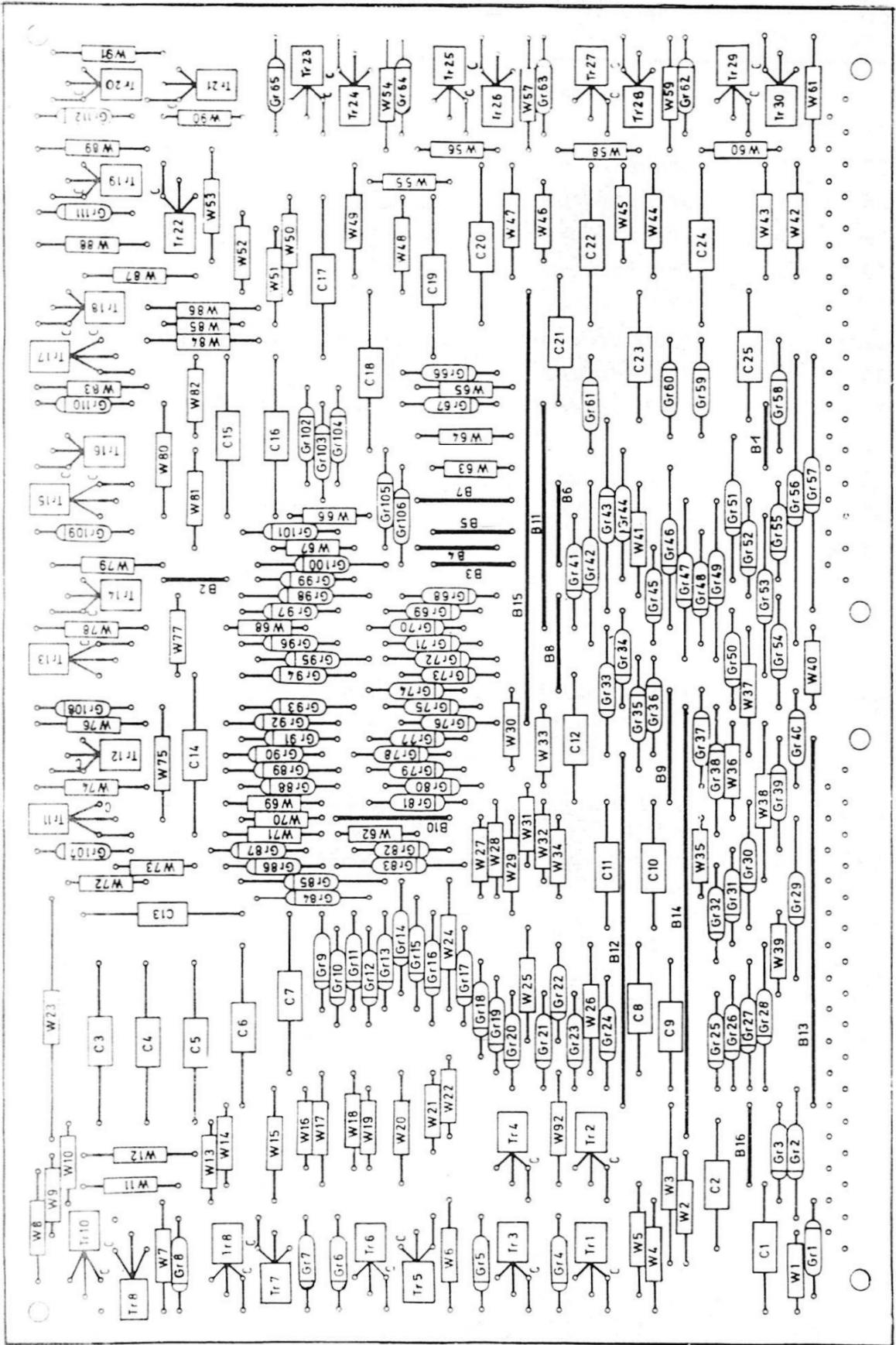


Table 22

Item #.	Qty	Description	Part #	Ident
1	1	Printed circuit board #11	05-220-7011-5	
2	2	31-pin multipole connector	00-445-9560-3	
4	4	Hollow rivet 3x0,25x8	00-224-0151-3	
6	4	Washer 3,2	05-000-0894-3	
8	30	Transistor BSY79 $\beta=30$	00-555-9752-2	Tr1-Tr30
11	37	Diode AC 40	00-560-9525-3	Gr1-3,25-58
12	15	Rectifier diode KY 130/150	00-560-9724-7	Gr4-8,62-65, 107-112
13	5	Film resistor 47 ohm 10% 0,05W	00-411-0676-2	W35,W36,W38, W139,W41
15	1	Film resistor 100 ohm 10% 0,05W	00-411-0682-6	W37
16	1	Film resistor 3,6k ohm 5% 25.732 TGL 8728	00-401-1941-3	W23
18	15	Film resistor 4,7k ohm 10% 0,05W	00-411-0730-4	W10,W13,W14, W19,W22,W51, W55,W56,W58, W60,W72,W77, W82,W84,W90
19	25	Film resistor 10k ohm 10% 0,05W	00-411-0739-4	W1-W3,W24- W34,W140,W162 -W71
20	15	Film resistor 68k ohm 10% 25.412	00-401-6616-0	W12,W15,W17, W20,W43,W44, W147,W49,W531 W74,W79,W80, W86,W87,W92
21	15	Film resistor 100k ohm 10% 25.311	00-401-0018-8	W4-W8,W54, W57,W59,W61, W76,W78,W83, W88,W89,W91
22	15	Film resistor 1M ohm 10% 0,05W	00-411-0811-2	W9,W11,W16, W18,W21,W42, W45,U46,X148, W50,W52,W73, W75,W81,W85
24	15	Paper capacitor 0,022/160-445	00-421-3551-6	C3-C7,C13- C20,C22,024

Table 22

Item #.	Qty	Description	Part #	Ident
25	10	Paper capacitor 0,047/63-445	00-421-3534-8	C1-C2,C8-C12 C21,C23,C25
27	2	Wire link	B1,B2	
28	5	Wire link	B3-B6,B16	
29	2	Wire link	B7,B8	
30	2	Wire link	B9,B10	
31	1	Wire link	B11	
32	1	Wire link	B12	
33	1	Wire link	B13	
34	2	Wire link	B14,B15	
39	45	Silicon-Planar- Diode SA403	00-560-9667-2	Gr9,Gr13,17- 23,59-61, 66-71,73-82, 86-88,90,91, 96,97,99, 101-106
L0	11	Silicon-Planar- Diode SA403	00-560-9668-0	Gr14-16, 24,72,84, 89,92-95
41	3	Silicon-Planar- Diode SA403	00-560-9669-7	Gr83,98,100
42	1	Silicon-Planar- Diode SA403	00-560-9670-3	Gr85

Page missing

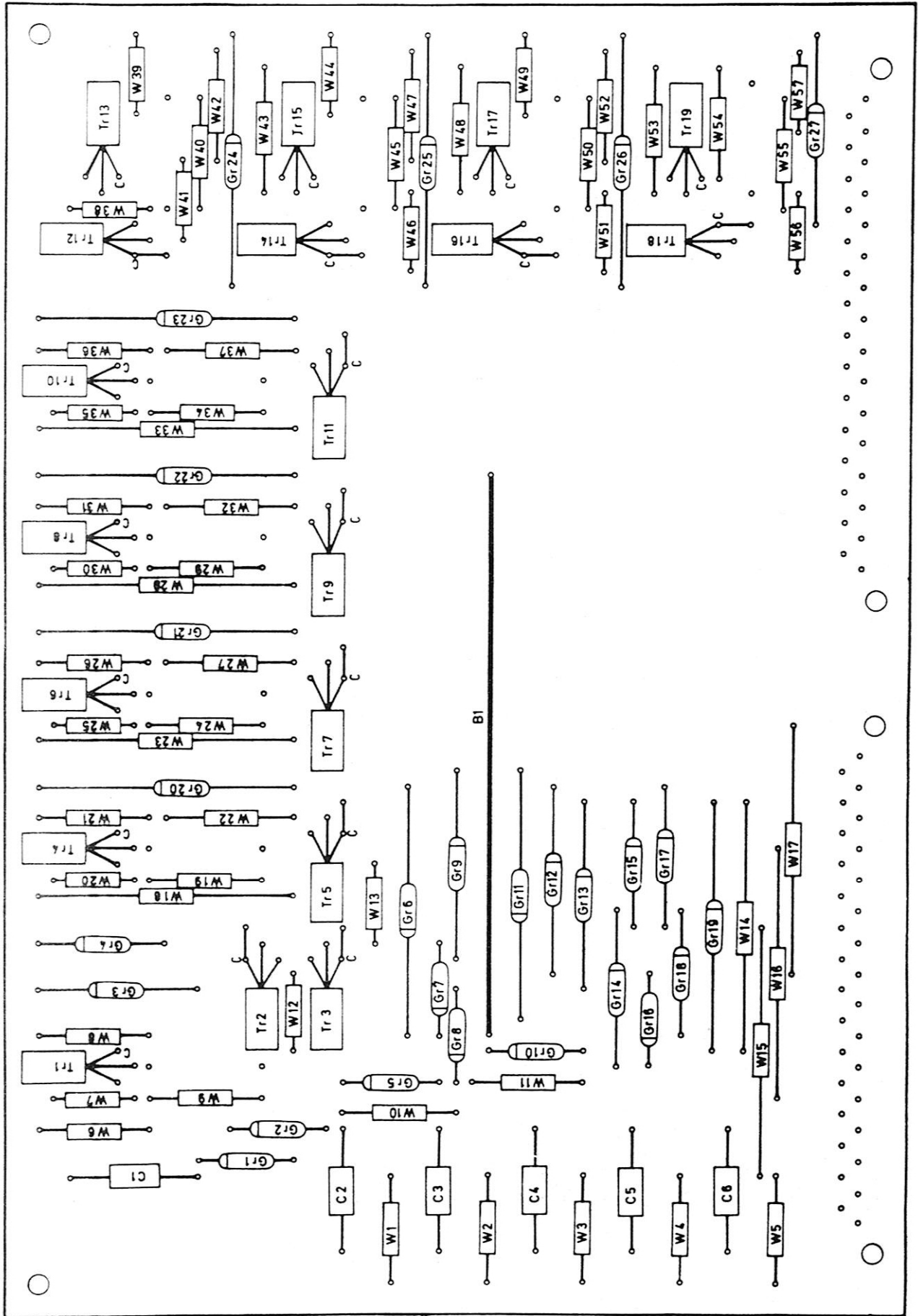
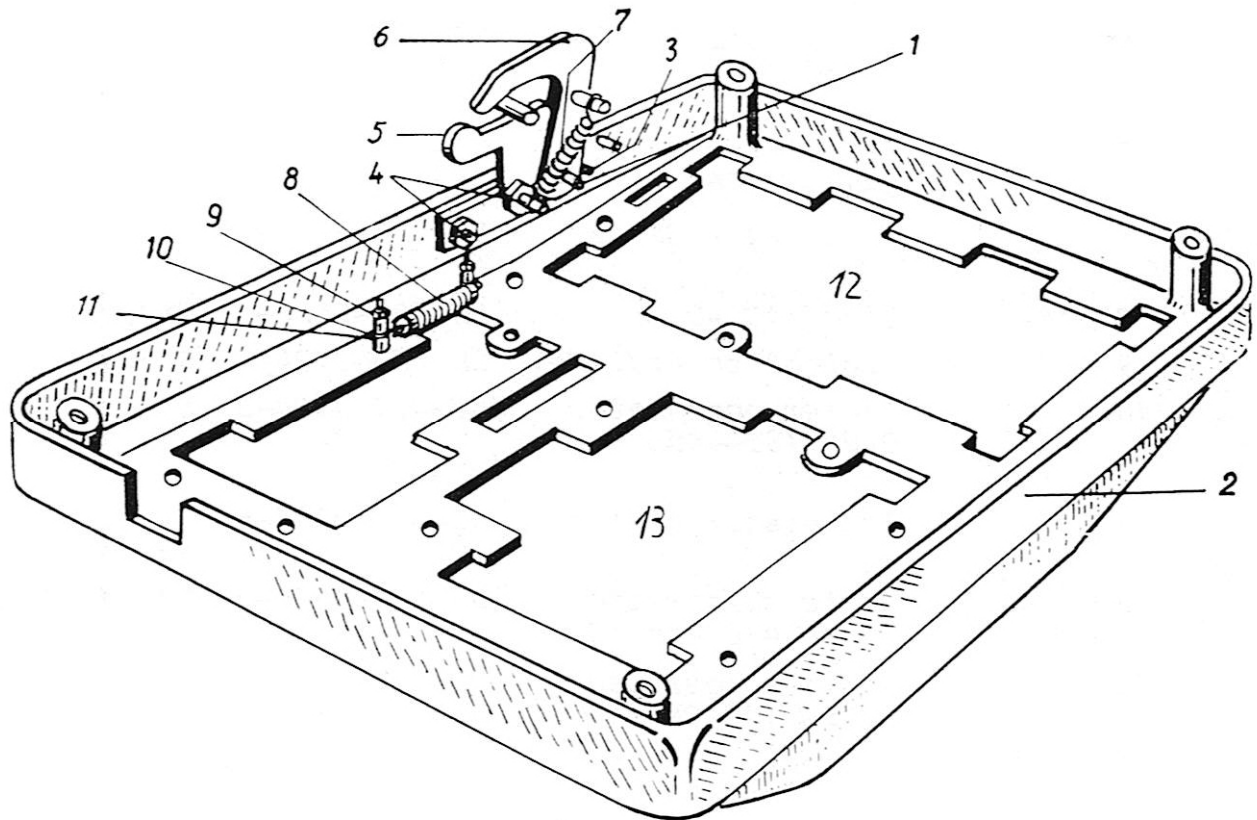


Table 23

Item #.	Qty	Description	Part #	Ident
1	1	Printed circuit board #12	05-220-7012-3	
2	2	31-pin multipole connector	00-445-9560-3	
3	4	Hollow rivet 3x0,25x8	00-224-0151-3	
4	4	Washer 3,2	05-000-0894-3	
6	10	Transistor BSY79 $\beta=30$	00-555-9752-2	Tr2,3,5,7, 9,11,12,14, 16,18
7	1	Transistor SA25 $\beta=72...166$	00-555-9527-2	Tr1
	or	Transistor GS121e	00-555-3310-6	
8	17	Diode AC40	00-560-9525-3	Gr1,2,5-19
9	10	Rectifier diode	00-560-9724-7	Gr3,4,20-27
10	6	Paper capacitor 0,047/63-445	00-421-3534-8	C1-6
11	8	Transistor GS121B	00-555-3307-5	Tr4,6,8,10, 13,15,17,19
12	4	Film resistor 470 ohm 10% 0,05W	00-411-0676-2	W11,14,16,17
13	2	Film resistor 100 ohm 10% 0,05W	00-411-0682-6	W10,15
14	9	Film resistor 4,7k ohm 10% 25.311	00-401-0002-6	W8,21,26,31, 36,42,47,52, 54
15	14	Film resistor 10k ohm 10% 0,05W	00-411-0739-4	W1-6,18,23, 28,33,39,44, 49,57
16	19	Film resistor 12k ohm 10% 0,05W	00-411-0742-5	W9,12,13,19, 22,24,27,29, 32,34,37,40, 41,45,46,50, 51,55,56
17	9	Film resistor 68k ohm 10% 0,05W	00-411-0775-5	W7, 20,25,30, 35,38,43,48, 53

Table 24



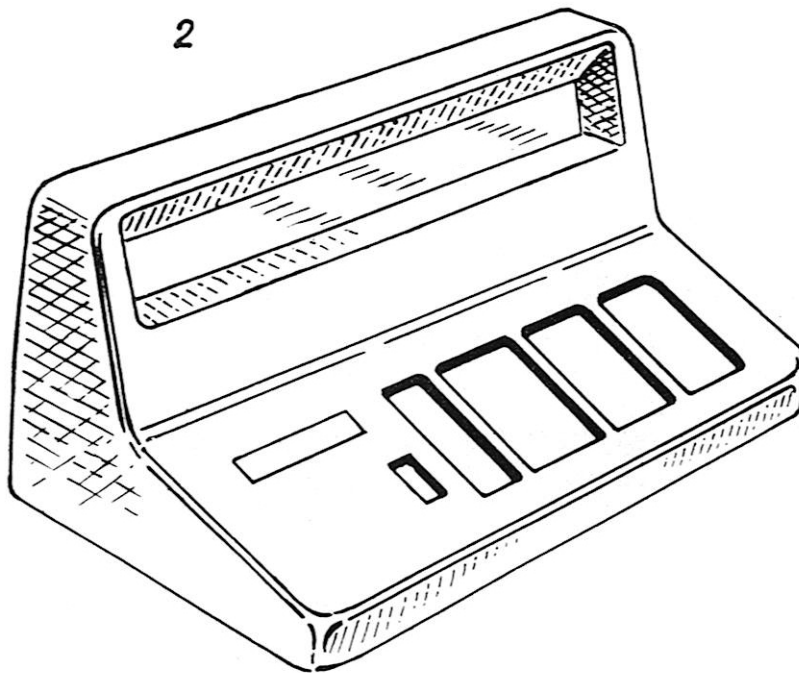
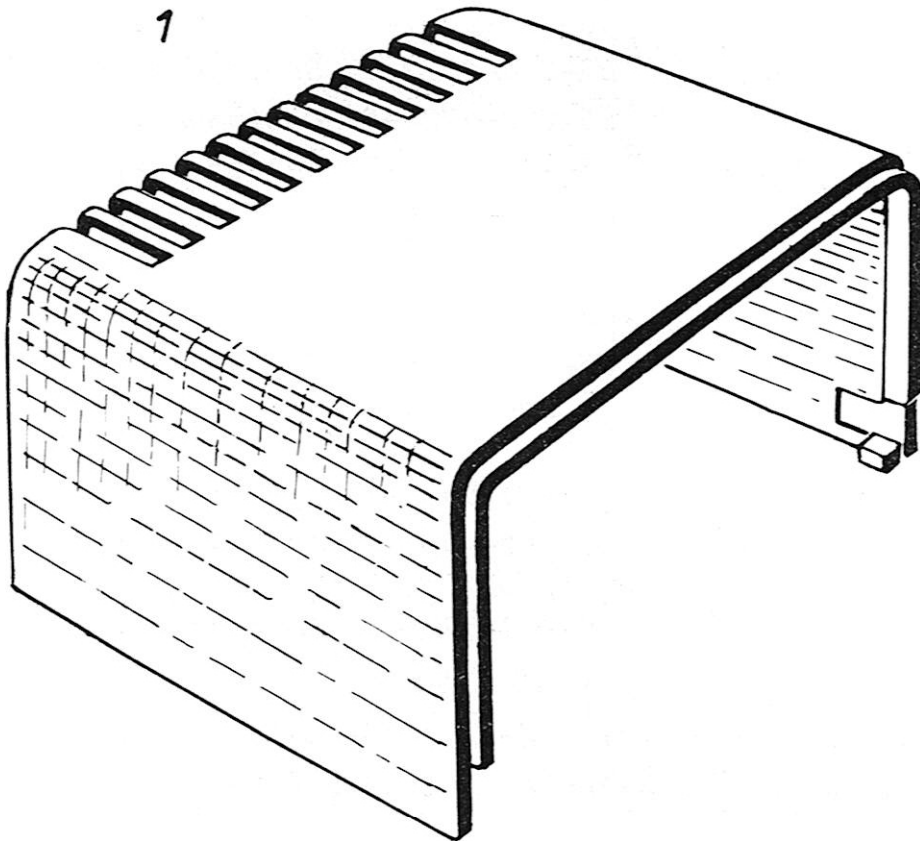
Baseplate

Table 24

Item #.	Qty	Part #	Description
1	2	00-218-2545-6	Tap rivet
2	1	06-220-3101-7	Baseplate *
3	4	05-220-3022-0	Mounting screw
4	2	05-220-3027-8	Mounting screw
5	1	05-220-3023-7	Retaining piece, left
	1	05-220-3024-5	Retaining piece, right
6	1	06-220-3026-6	Detent latch, left
	1	06-220-3025-8	Detent latch, right
7	2	05-000-2586-4	Tension spring 0,5-4—30
8	1	00-405-1552-0	Film resistor 22 ohm 14x540g 10 TGL 200-8041
9	2	00-201-5425-1	Cheese head screw M3x20
10	2	00-468-4432-1	Solder tag 1A 6C
11	2	00-468-1227-5	Insulating bush
12	1	05-220-3003-2	Cover plate
13	1	05-223-2006-0	Cover plate

* The baseplate is only on special order, under application of the old baseplate, delivered.

Table 25

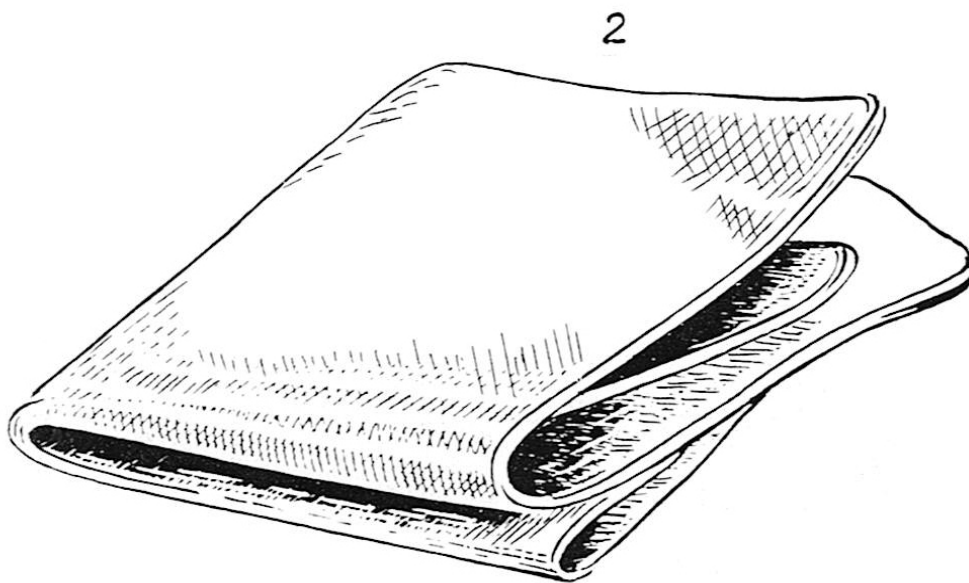
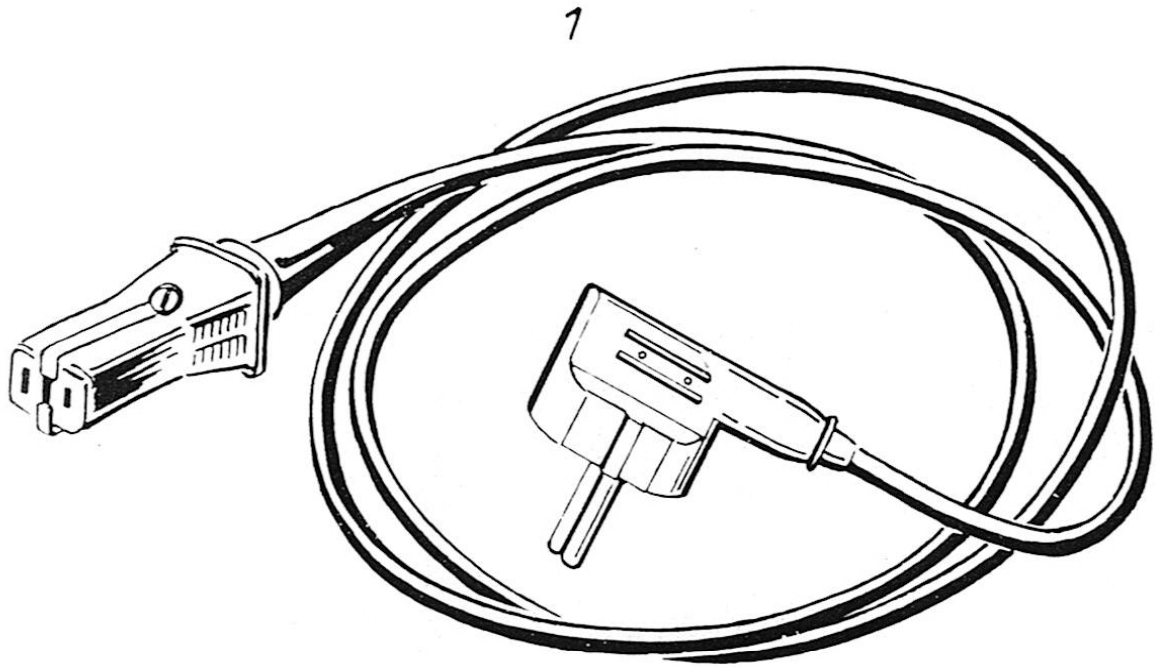


Casing

Table 25

Item #.	Qty	Part #	Description
1	1	05-220-3003-6	Cover
2	1	06-220-3002-4	Keyboard cover

Table 25



Accessories

Table 26

Item #.	Qty	Part #	Description
1	1	00-803-9013-0	Connecting cable assembly
	1	00-803-9014-7	Connecting cable export France
	1	00-803-9015-5	Connecting cable assembly Export CSSR
	1	00-803-9025-4	Connecting cable assembly Export England
2	1	00-825-0090-7	Dust cover
no	1	00-435-0128-0	Fuse insert F1,6
picture	1		TGL 0-41571 Bl. 1
"	1	00-435-0350-6	Fuse insert T500 TGL 6-41571 Bl.3
"	1	00-735-7251-2	Bag FOS 63x93 TGL 7-1023 Bl.1

Page missing

Part #	Description	Table	Qty
00-201-3405-3	Cheese head screw M2x10	1	4
00-201-3512-0	Cheese head screw M2,6x8	4	10
00-201-3662-7	Cheese head screw M3x4	4	2
00-201-3572-3	Cheese head screw M3x5	6	4
06-201-3585-5	Cheese head screw M3x8	2	8
00-201-3688-5	Cheese head screw M3x8	3	4
00-201-3704-1	Cheese head screw M3x12	1	12
06-201-3875-8	Cheese head screw M4x10	9	5
00-201-4057-6	Cheese head screw M6x14	8	17
00-201-5412-2	Cheese head screw M3x16	6	12
00-201-5425-1	Cheese head screw M3x20	7	11,4
00-203-0629-5	Fillister-head screw M3x6	11	32
00-273-1564-6	Fillister-head screw M3x16	7	8
00-203-1584-7	Fillister-head screw M3x10	9	7
00-204-1592-2	Countersunk screw M3x8	9	15
00-206-0400-2	Grub Screw	4	4
00-212-0899-7	Hexagon nut M3	11	2
00-212-1057-3	Hexagon nut M3	3	13
00-218-2545-6	Tap rivet	24	1
00-224-0151-3	Hollow rivet 3x0,25x8	12	3
00-225-0235-8	Washer 3,2	6	3
00-225-3097-2	Lock washer	1	13
00-227-0716-0	Spacer 3,6x7h 11	1	9
00-400-9955-8	Film resistor 4,7 ohm 10%	3	15
00-400-9971-3	Film resistor 15 ohm 10%	12	32
00-400-9990-5	Film resistor 560 ohm 10%	10	22
00-400-9992-2	Film resistor 820 ohm 10% 25.311	12	36
00-400-9993-0	Film resistor 1K ohm 10%	10	24
00-400-9994-7	Film resistor 1,2k ohm 10%	10	25
00-400-9995-5	Film resistor 1, 5k ohm 10%	13	27
00-400-9998-8	Film resistor 2,7k ohm 10%	10	27
00-401-6602-5	Film resistor 4,7k ohm 10%	23	14
00-401-0006-7	Film resistor 10k ohm 10%	12	40
00-401-6007-5	Film resistor 12k ohm 10%	12	42
00-401-0016-3	Film resistor 68k ohm 10%	12	44
00-401-6018-8	Film resistor 100k ohm 10%	22	21
00-401-0087-0	Film resistor 100 ohm 5%	12	33
00-401-0111-5	Film resistor 1k ohm 5%	10	23
00-401-0131-6	Film resistor 6,8k ohm 5%	12	38
00-401-0578-7	Film resistor 47 ohm 10%	5	7
00-401-0581-8	Film resistor 82 ohm 10%	5	6
00-401-0593-0	Film resistor 820 ohm 10%	18	24

Page missing

Part #	Description	Table	Qty
00-421-0024-1	Electrolytic capacitor 05000/25	8	1
00-421-0061-0	Electrolytic capacitor 100/150-665	8	12
00-421-0231-5	Electrolytic capacitor 5/3 10	15	
00-421-0305-1	Electrolytic capacitor 20/15	10	17
00-421-0320-3	Electrolytic capacitor 2/50	10	16
00-421-1161-3	Electrolytic capacitor 1000/25	10	12
00-421-1166-2	Electrolytic capacitor 1000/15	10	14
00-421-1171-8	Electrolytic capacitor 500/25	10	13
00-421-3531-5	Paper capacitor	3	14
00-421-3534-8	Paper capacitor 0,047/63-445	20	35
00-421-3535-6	Paper capacitor 0,1/63-445	10	18
00-421-3536-4	Paper capacitor 0,22/63-445	10	19
00-422-0182-4	Interference suppression capacitor	9	17
00-422-9411-1	Insulating washer A 32	8	14
00-430-9522-5	Neon lamp E 23/1	5	14
00-430-9991-1	Telephone lamp 12V 0,05A	5	15
00-430-9992-8	Telephone lamp 12V 0,05A	5	4
00-435-0128-0	Fuse insert F1,6 TGL 0-41571 B1. 1		93
00-435-0348-3	Fuse insert	9	2
00-435-0350-6	Fuse insert T500 TGL 6-41571 Bl.3		92
00-445-2096-5	Connector plug	9	14
00-445-6878-7	Miniature plug 11-pin	4	6
00-445-6896-3	Miniature plug 20 pin	3	9
00-445-6911-1	Connector plug 32 pin	5	9
00-445-6913-6	Miniature plug 32-pin	3	10
00-445-6933-7	Miniature plug 32-pin	11	6
00-445-6934-5	Miniature socket 11-pin	5	12
00-445-6949-0	Socket connector B 20	5	6
00-445-5966-7	Miniature plug contact	11	3
00-445-9560-3	31-pin multipole connector	12	2
00-460-1987-1	Insulated sleeving	21	39
00-458-1216-2	Solder tag	6	11
00-468-1227-5	Insulating bush	5	10
00-468-4432-1	Solder tag 1A 6C	7	11,5
00-484-1222-6	Sprung contact set	3	11
00-560-3979-3	Germanium diode GAZ17	15	11
00-555-1109-4	Transistor SB20	12	16
00-555-3307-5	Transistor GS121B	23	11
00-555-3310-5	Transistor SA25	14	7
00-555-8828-1	Insulating washer	7	5
00-555-9524-8	Transistor SA25	10	2
00-555-9526-4	Transistor SA25	15	8
00-555-9527-2	Transistor SA25	10	3
00-555-9532-8	Transistor SB20	12	14
00-555-9533-6	Transistor SB20	12	15
00-555-9534-4	Transistor SB20	12	16

Part #	Description	Table	Qty
00-555-9954-0	Cable assembly	12	11
00-555-9547-3	Transistor	12	17
00-555-9743-2	Transistor	6	8
00-555-9752-4	Transistor	23	6
00-555-9975-8	Transistor	14	6
00-555-9976-6	Transistor	14	6
00-560-1002-5	Germanium Rectifier diode GY122	8	19
00-560-3307-2	Germanium Rectifier diode GY100	10	6
00-560-3979-3	Germanium diode GAZ17	10	5
00-560-3981-6	Germanium diode GAZ17	13	13
00-560-6891-7	Power diode SZ512	8	10
00-560-6933-1	Silicon diode SZX18/6,8	10	8
00-560-6986-2	Switching diode GAY60	10	7
00-560-9525-3	Diode AC40	12	28
00-560-9558-3	Display Indicator	5	5
00-560-9639-1	Rectifier diode SY203	8	2
00-560-9667-2	Silicon-Planar-Diode SA403	12	55
00-560-9668-0	Silicon-Planar-Diode SA403	13	51
00-560-9669-7	Silicon-Planar-Diode SA403	13	52
00-560-9670-3	Silicon-Planar-Diode SA403	13	53
00-560-9671-1	Silicon-Planar-Diode SA403	13	54
00-560-9673-6	Silicon-Planar-Diode SA403	14	36
00-560-9675-2	Silicon-Planar-Diode SA403	17	46
00-560-9677-7	Silicon-Planar-Diode SA403	12	56
00-560-9679-3	Silicon-Planar-Diode SA403	12	57
00-560-9699-4	Semiconductor diode GAY63	18	14
00-560-9724-7	Rectifier diode KY130/150	22	12
00-735-7251-2	Bag FOS 63x93 TGL 7-1023 Bl.1		
00-803-0403-8	Ferrite core memory 4x8x12	12	7
00-803-0871-6	Telephone lamp	10	42
00-803-1701-8	Transistor socket	12	6
00-803-1704-2	Transistor socket	6	7
00-803-6033-4	Rotary switch	4	1
00-803-6035-0	Small step switch	4	9
00-803-7005-5	Microswitch	1	6
00-803-7024-8	Microswitch	3	7
00-803-9013-0	Mains cable assembly	26	1
00-803-9014-7	Mains cable assembly export France	26	1
00-803-9015-5	Mains cable assembly export CSSR	26	1
00-803-9025-4	Mains cable assembly export England	26	1
00-811-0430-2	Transistor pad	13	49
00-812-0202-3	Absorption disk for all keys	2	14
00-814-0150-3	Sliding sign	9	22
00-825-0090-7	Cover	26	2

Page missing

Part #	Description	Table	Qty
05-220-3024-5	Retaining piece, left	24	5
05-220-3027-8	Mounting screw	24	4
05-220-5008-0	Bracket	5	2
05-220-7001-0	Printed circuit board #1	12	1
05-220-7002-5	Printed circuit board #2	13	1
05-220-7003-5	Printed circuit board #3	14	1
05-220-7004-3	Printed circuit board #4	15	1
05-220-7005-1	Printed circuit board #5	16	1
05-220-7006-8	Printed circuit board #6	17	1
05-220-7007-6	Printed circuit board #7	18	1
05-220-7008-4	Printed circuit board #8	19	1
05-220-7009-2	Printed circuit board #9	20	1
05-220-7010-7	Printed circuit board #10	21	1
05-220-7011-5	Printed circuit board #11	22	1
05-220-7012-3	Printed circuit board #12	23	1
05-220-7015-6	PCB guide board, front	11	27
05-220-7016-4	PCB guide board, rear	11	29
05-220-7017-2	Side panel, left	11	14
05-220-7022-8	Mounting plate, left	11	1
05-220-7023-6	Threaded spacer	11	28
05-220-7026-0	Mounting plate, right	11	10
05-220-7042-0	Retaining bracket	11	13
05-220-8025-4	Thermistor mount	6	9
00-382-2715-3	Printed circuit board	8	18
06-220-1008-6	Key actuator for Lö	2	11
06-220-1010-0	Side panel, right	1	8
06-220-1078-5	Control wheel	1	3
06-220-1079-3	Dial	4	5
06-220-1099-4	Cable loom	3	8
06-220-3002-4	Keyboard cover	25	2
06-220-3025-8	Detent latch, right	24	6
06-220-3026-6	Detent latch, left	24	6
06-220-3101-7	Baseplate	7	2
06-220-5001-1	Display framework	7	11
06-220-5003-6	Cable loom assembly	5	10
06-220-7018-5	Side panel, right	11	11
06-220-7044-1	Short circuit plug	11	4
06-220-8009-0	Fuse holder	9	11
06-220-8011-3	Tag board	9	21
12-382-2715-7	Rectifier bracket assembly	8	15
12-382-2717-3	Rectifier bracket assembly	8	16
00-220-7041-7	Transformer assembly	12	9
00-220-7042-5	Transformer assembly	12	10
00-220-7043-3	Transformer assembly	13	6
00-220-7048-2	Transformer assembly	13	6
00-220-7049-0	Transformer assembly	13	5
00-220-7050-5	Cable assembly	12	11
00-220-8024-2	Mains voltage selection switch assembly	9	20

Part #	Description	Table	Qty
16-220-1079-4	Complete wiring harness	4	8
18-220-1095-5	Complete rotary switch assembly	4	-
18-220-1195-6	Small step switch assembly	4	-
18-220-7030-6	Wiring harness assembly	11	8
20-220-1097-7	Keyboard circuit board assembly	3	-
20-220-5602-7	Printed circuit board assembly	5	1
20-220-7001-4	Board 1 plug in unit	11	26
20-220-7002-2	Board 2 plug in unit	11	25
20-220-7003-0	Board 3 plug in unit	11	24
20-220-7004-7	Board 4 plug in unit	11	23
20-220-7005-5	Board 5 plug in unit	11	22
20-220-7006-3	Board 6 plug in unit	11	21
20-220-7007-1	Board 7 plug in unit	11	20
20-220-7008-8	Board 8 plug in unit	11	19
20-220-7009-6	Board 9 plug in unit -	11	18
20-220-7010-2	Board 10 plug in unit	11	17
20-220-7011-0	Board 11 plug in unit	11	16
20-220-7012-7	Board 12 plug in unit	11	15
20-220-8008-1	Transformer assembly	8	1
22-220-1096-1	Keyboard assembly	2	-
22-220-8001-7	Power supply rack	6	1
22-220-8007-4	Small heatsink assembly	9	1
22-220-8015-4	Power supply PCB	6	5
22-220-8016-2	Wiring harness	6	2
22-220-8018-7	Earth cable assembly	9	13
22-220-8019-5	Earth cable assembly	9	12
30-220-5000-3	Display assembly	5	-
30-226-7000-7	Arithmetic unit assembly	11	-
30-220-8000-0	Power supply assembly	6	-



Hersteller:
VEB Büromaschinenwerk Sömmerda
Stammbetrieb des VEB Kombinat ZENTRONIK
DDR – 523 Sömmerda, Weißenseer Straße 52



Expoteur
Büromaschinen-Export GmbH Berlin
DDR – 108 Berlin, Friedrichstraße 61
Deutsche Demokratische Republik

