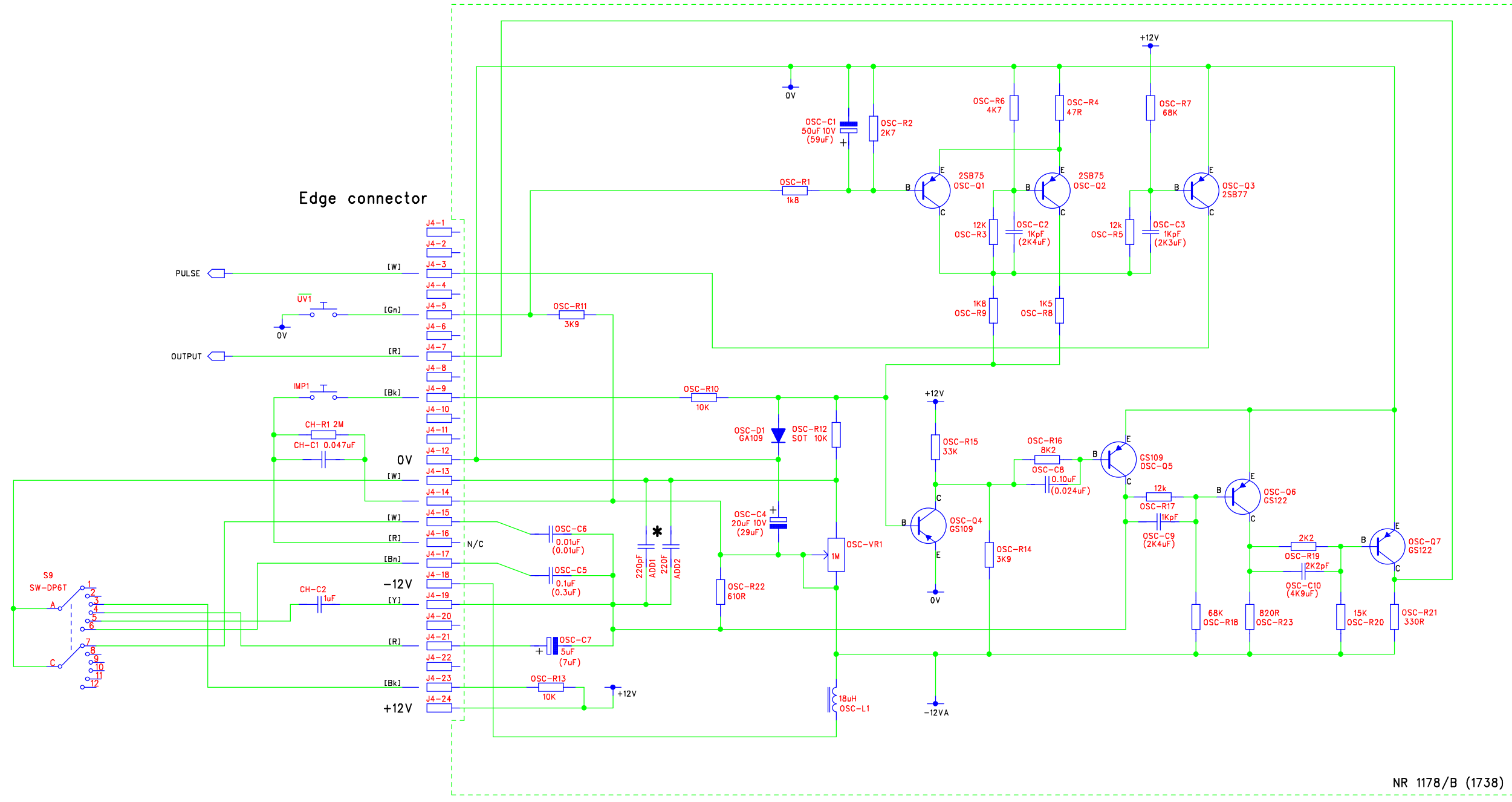


RevNo	Revision note	Date	By	Checked
-	-	-	-	-



NR 1178/B (1738)

Capacitor values in brackets are actual values measured on a Wayne Kerr L-C-R bridge. Range frequencies are measured on a Racal Dana 9522 frequency-period counter, and Tektronix TDS380 oscilloscope. All ranges were incorrect and have had their associated capacitors replaced / corrected.

Range -	Measured -	Corrected -
25 kHz	55.3 kHz	24.98 kHz (by adding capacitors ADD1 & ADD2)
Impulse	10mS -VE pulse	
2 Hz	1.8 Hz	2.56 Hz
10 Hz	13.9 Hz	10 Hz
100 Hz	19.9 Hz	100 Hz
1k Hz	16.3 Hz	1.01 kHz

Potentiometer OSC-VR1 had a broken wiper mechanism and has been replaced. It appears to mainly set the Mark-Space ratio of the 25kHz signal but does affect the overall frequency to some extent. The 25kHz signal was twice what it should have been. After extensive checks was corrected by adding caps ADD1 & ADD2)



DM Associates  
 33, Northbrook Road  
 Aldershot, Hampshire. GU11 3HE  
 Email: mike@soemtron.org  
 www.soemtron.org

Pcb Dwg # =		Scale	Nts	Title	
Drawn	Name	Date	Sheet	Soemtron 8601a Prüfergerät	
Checked	MD Hatch	24/02/2022	Next Sheet	Serial # 2000	
			Drawing Number	Oscillator - Impulse	
				Prüfergerät 8601a	A2 Issue A

Notes: