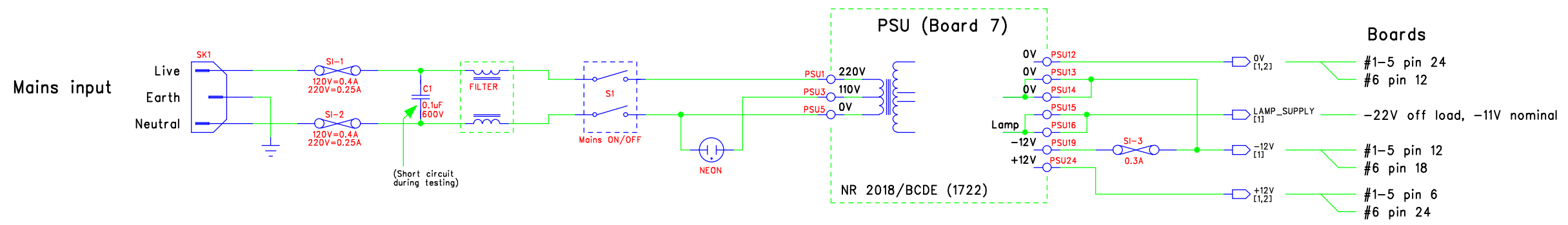


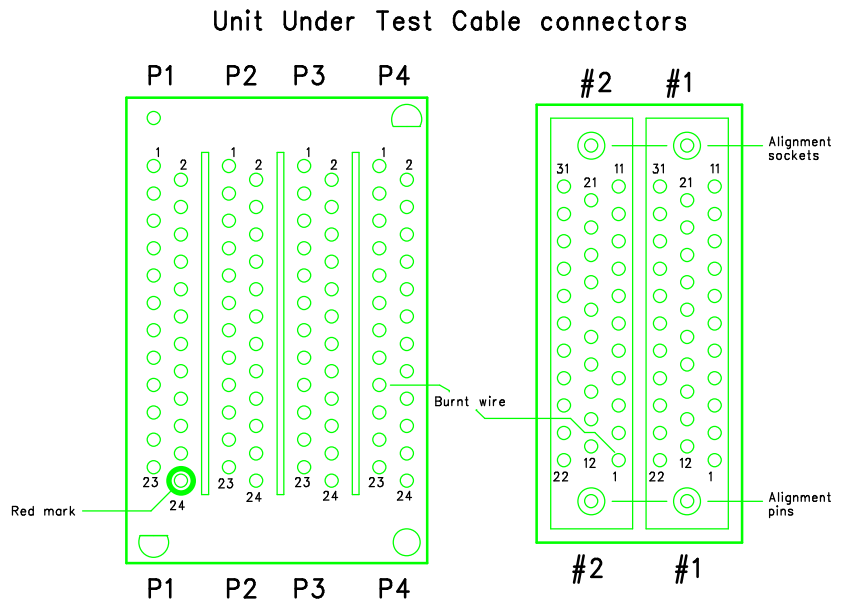
RevNo	Revision note	Date	By	Checked
-	-	-	-	-



Unit Test Cable Connections						
96 pin -	P1	P2	P3	P4		
32 pin -	1/2	1/2	1/2	1/2		
1	x	1 1/27	1 x	1 1/23		
2	1/19	2 1/26	2 2/20	2 x		
3	2/11	3 2/30	3 1/16	3 1/26		
4	2/21	4 2/29	4 x	4		
5	2/31	5 2/19	5 1/12	5		
6	1/1	6 x	6 x	6		
7	2/4	7 1/4	7 x	7		
8	1/11	8 2/27	8 1/13	8		
9	2/23	9 2/17	9 1/3	9		
10	x	10 1/14	10 x	10		
11	2/5	11 2/32	11 x	11		
12	1/10	12 x	12 2/25	12		
13	2/9	13 1/20	13 x	13		
14	2/14	14 2/18	14 2/15	14		
15	2/13	15 2/28	15 x	15 x		
16	2/22	16 2/3	16	16 1/29		
17	2/12	17 1/15	17 x	17 2/1		
18	2/2	18 1/5	18 2/26	18 x		
19	x	19 1/17	19 2/16	19 x		
20	2/7	20 2/24	20 x	20 x		
21	x	21 1/18	21 x	21 1/32		
22	2/6	22 1/8	22 2/8	22 x		
23	1/6	23 x	23 x	23 x		
24	x	24 x	24 2/10	24 1/7		

Display Matrix to Test Connectors									
Row	32 pin	Row	32 pin	Row	32 pin	Row	32 pin	Row	32 pin
1	2/2	1	2/12	1	2/22	1	2/32	1	1/9
2	2/3	2	2/13	2	2/23	2	1/1	2	1/10
3	2/4	3	2/14	3	2/24	3	1/19	3	1/11
4	2/5	4	2/15	4	2/25	4	1/2	4	1/12
5	2/6	5	2/16	5	2/26	5	1/3	5	1/13
6	2/7	6	2/17	6	2/27	6	1/4	6	1/14
7	2/8	7	2/18	7	2/28	7	1/5	7	1/15
8	2/9	8	2/19	8	2/29	8	1/6	8	1/16
9	Note 2	9	2/20	9	2/30	9	1/7	9	1/17
10	2/11	10	2/21	10	2/31	10	1/8	10	1/18

Notes  
 1) #2 pin 1 = Common 0V  
 2) With switch QN-L. QN-0 = 0V (no indicator)



Prüfgerät end Face view Unknown connector type  
 Device test end Face view 2x Std 32 pin plug

- Notes
- 1) Device end - #2 pin 1 wire burnt
  - 2) Device end - #1 pins 20, 21, 22, 25, 28, 30, 31 unused
  - 3) Device end - #1 is lower test connector
  - 4) Device end - #2 is upper test connector
  - 5) Prüfgerät end - P1 pin 24 has red ident
  - 6) Prüfgerät end - P4 pin 17 wire burnt

	DM Associates 33, Northbrook Road Aldershot, Hampshire. GU11 3HE Email: mike@soemtron.org <a href="http://www.soemtron.org">www.soemtron.org</a>	Pcb Dwg # =	Scale	Nts	Title <b>Soemtron 8601a Prüfgerät</b> Serial # 2000 <b>Supplies and Cables, Display Matrix</b> Soemtron 220 A2 Issue A		
		Name	Sheet	3			
	Drawn	MD Hatch	Date	12/4/2022		Next Sheet	-
	Checked	-	-	-		Drawing Number	

Notes: